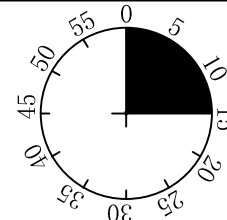
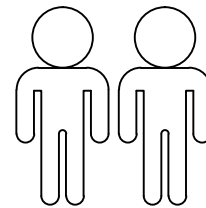
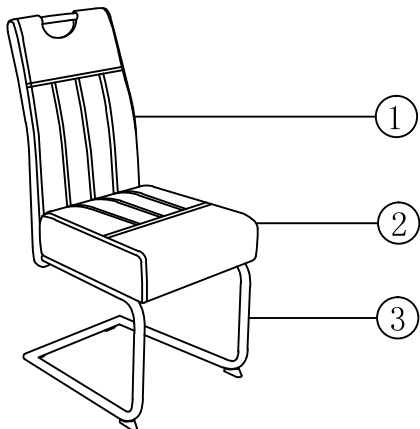


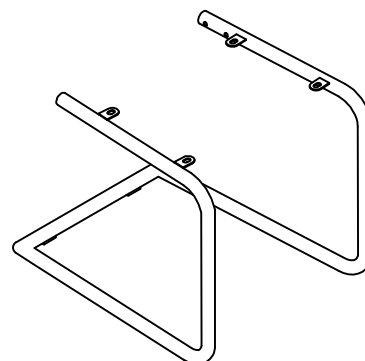
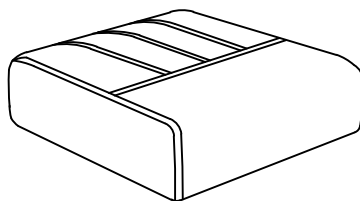
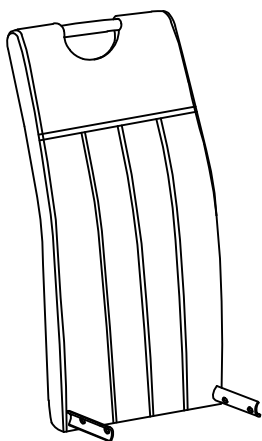
Betty



1

2

3



| | |
|---|----|
| 1 | 1x |
| 2 | 1x |
| 3 | 1x |

| | | | | | | | | | | | |
|---|-------|---|-------|---|------------|---|------------|---|----|---|-----|
| A | M6X20 | B | M8x20 | C | Ø18xØ8x1.5 | D | Ø18xØ6x1.5 | E | M8 | F | 4MM |
| | 4x | | 4x | | 4x | | 4x | | 4x | | 1x |
| G | 6MM | H | M4x20 | I | | | | | | | |
| | 1x | | 4x | | 2x | | | | | | |

I.

1

H M4x20
4x

I
2x

100%

2

B M8x20
4x

C Ø18xØ8x1.5
4x

E M8
4x

G 6MM
1x

75%

3

A M6x20
4x

D Ø18xØ6x1.5
4x

F 4MM
1x

75%

4

F 4MM
1x

G 6MM
1x

100%

