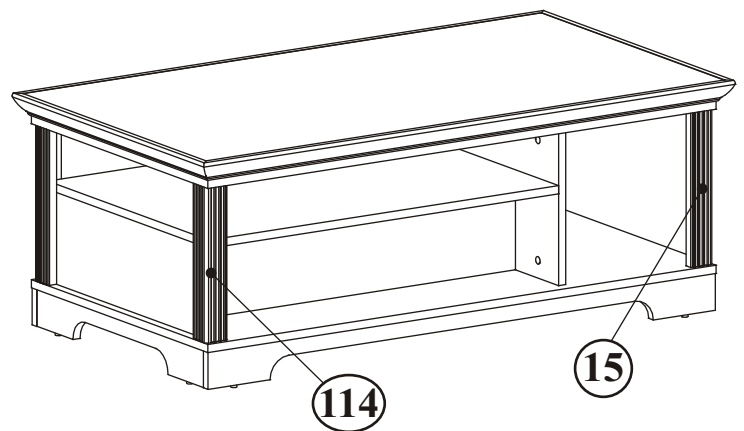
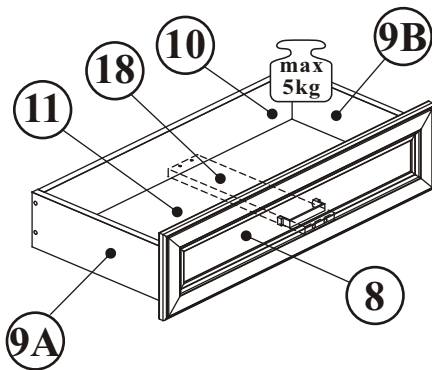
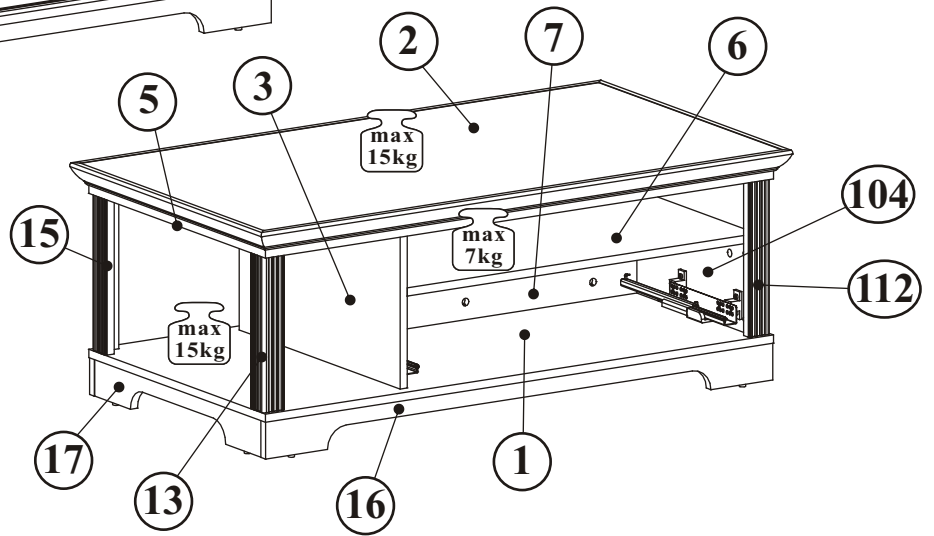
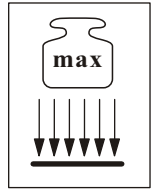
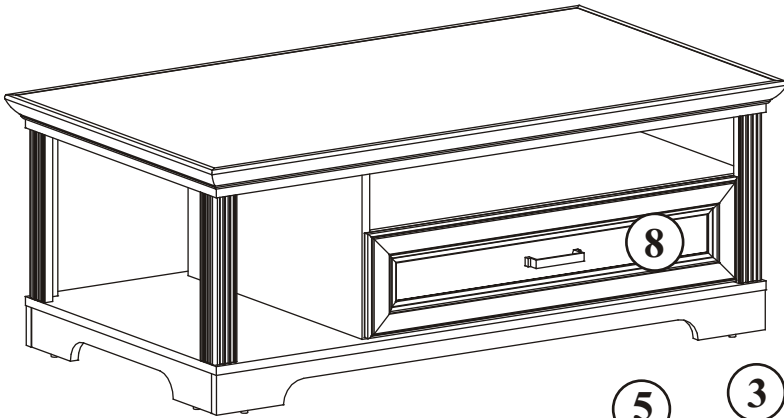
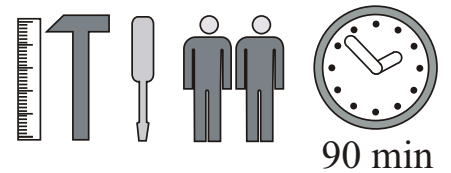


# JASMIN 20G9\_02

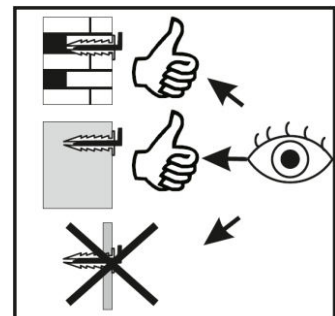
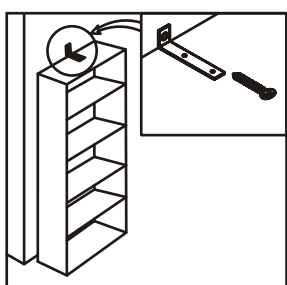
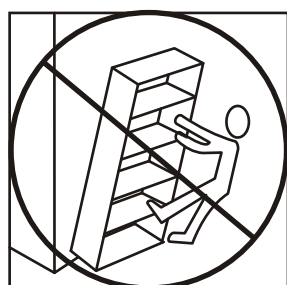
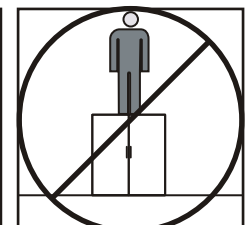
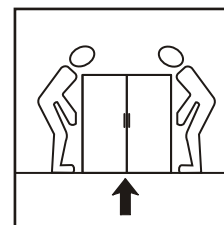
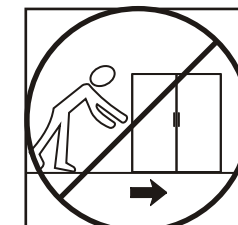
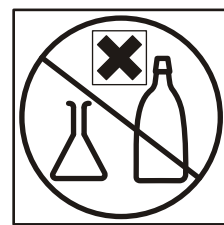
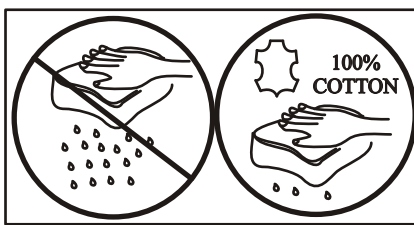
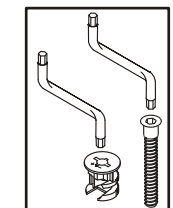
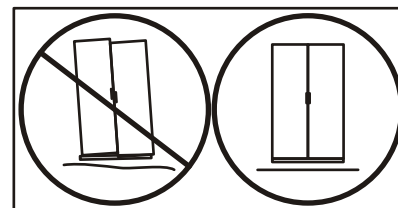
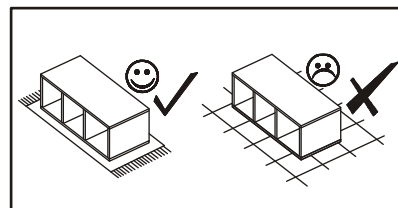
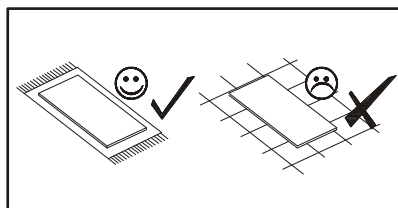
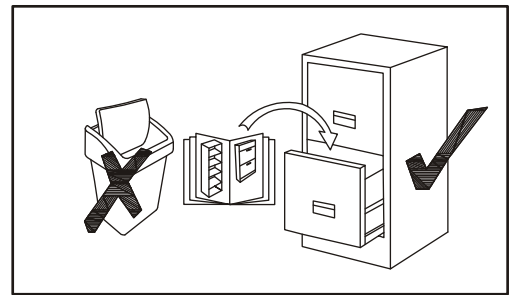
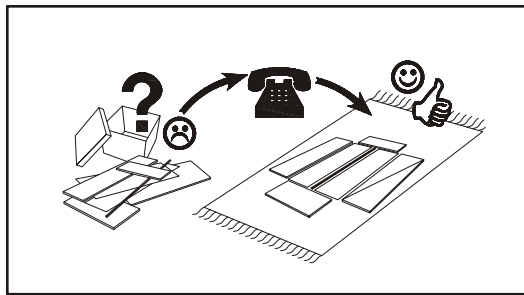
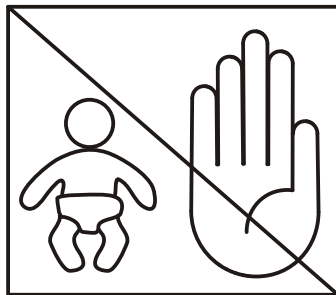
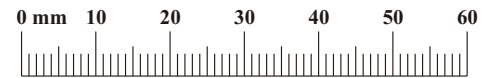


NO	Dim.			Col.-No	Qty
1	1148	612	16	2	1
2	1201	665	42	2	1
3	304	558	16	2	1
104	179	558	16	2	1
5	1148	612	16	1	1
6	790	558	16	1	1
7	774	179	16	1	1
8	770	188	22	1	1
9A	350	120	16	1	1
9B	350	120	16	1	1
10	709	106	16	1	1
11	354	721	3	1	1
112	304	49	49	1	1


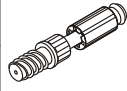
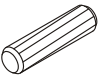

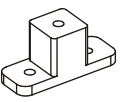


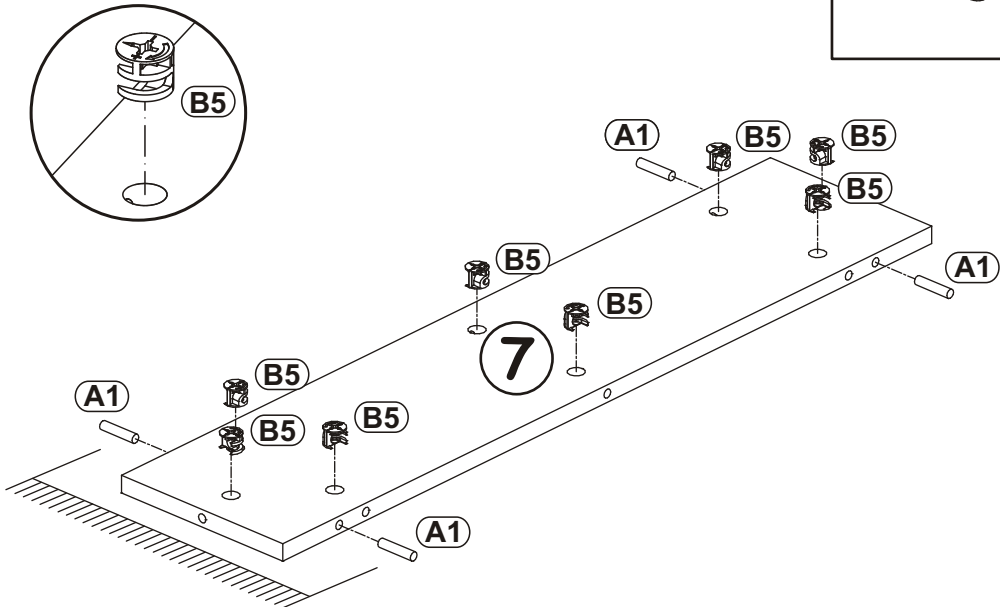
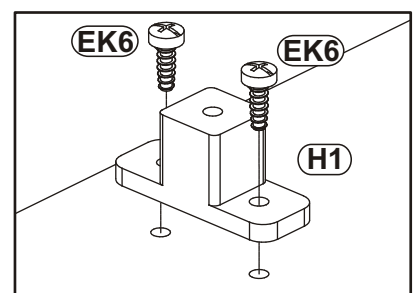
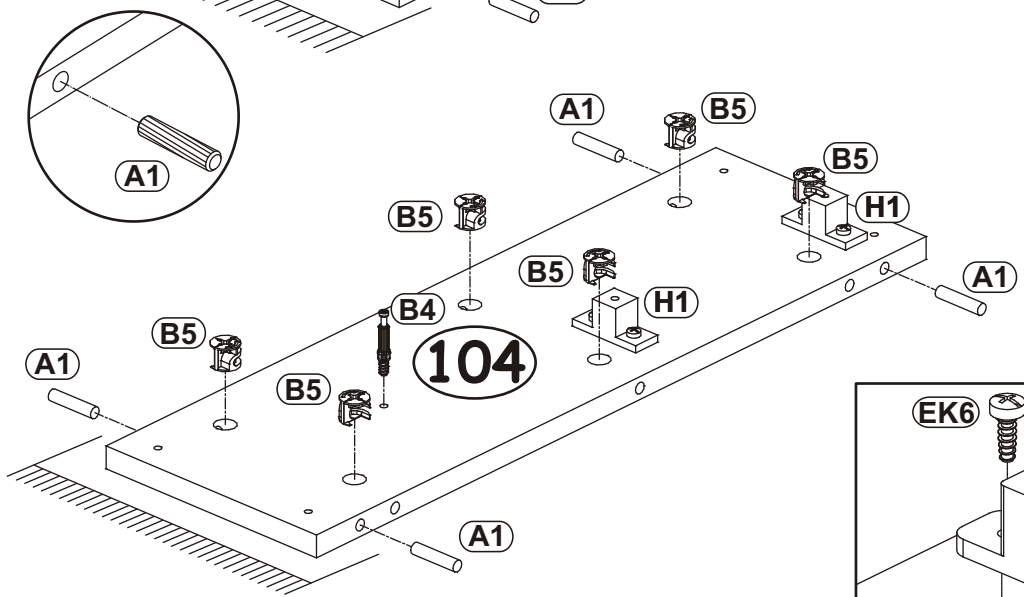
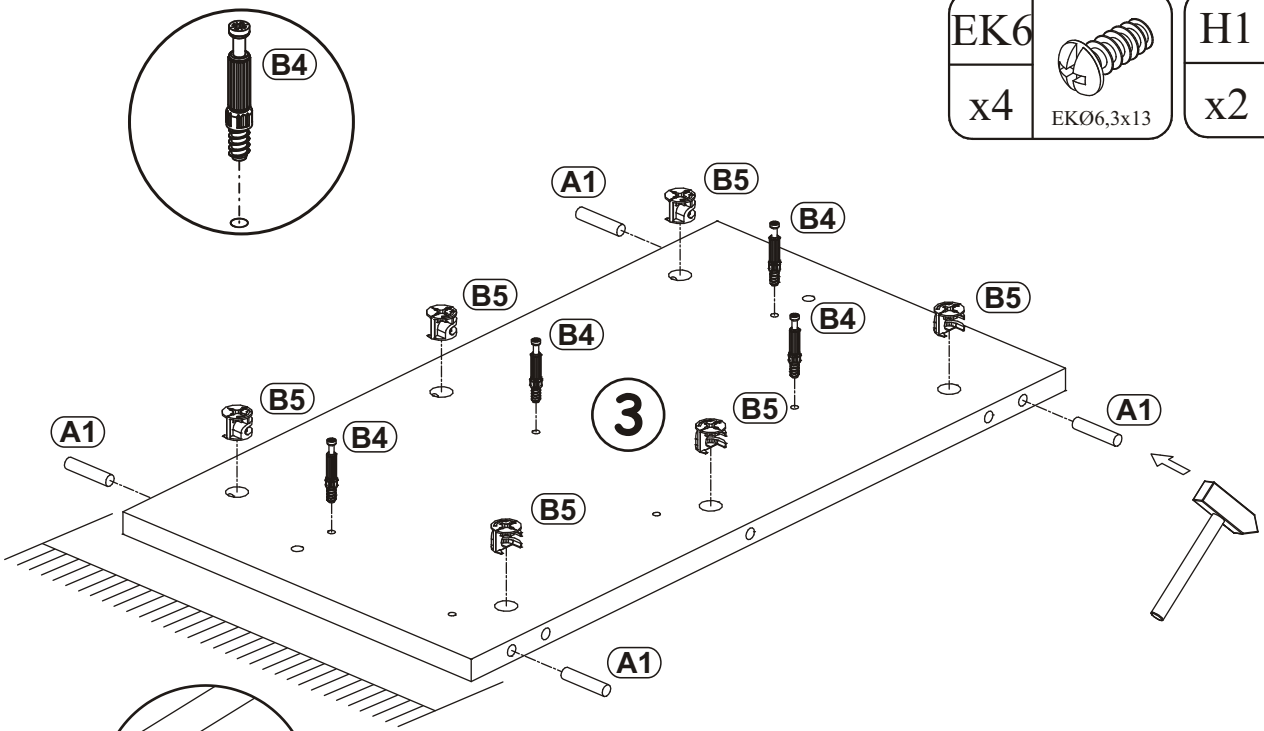
NO	Dim.			Col.-No	Qty
13	304	49	49	1	1
114	304	49	49	1	1
15	304	49	49	1	1
16	1146	72	16	1	2
17	578	72	16	1	2
18	349	80	16	1	1

A1 x32 ø8x36	B4 x37	B5 x37 ø15x12	G5 x37	I2 x8	G2 x1
KM1 x4	D10 x10 USØ3,5x13	UP13 x6 UPØ3x16	UP6 x2 UPØ4x30	D20 x4 ESØ6,3x9,5	QU x1 L-350
B11 x12 Ø7x50	B14 x12 Ø7x30	G4 x4	H1 x2	C19 x1	D16 x2 M4x16
EK6 x4 EKØ6,3x13	A4 x8 Ø6x36	S1 x2	UP9 x4 UPØ3,5x16	I9 x1 L-60 mm.	G12 x16 Ø14
D24 x4 USØ4x30					

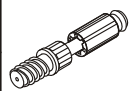


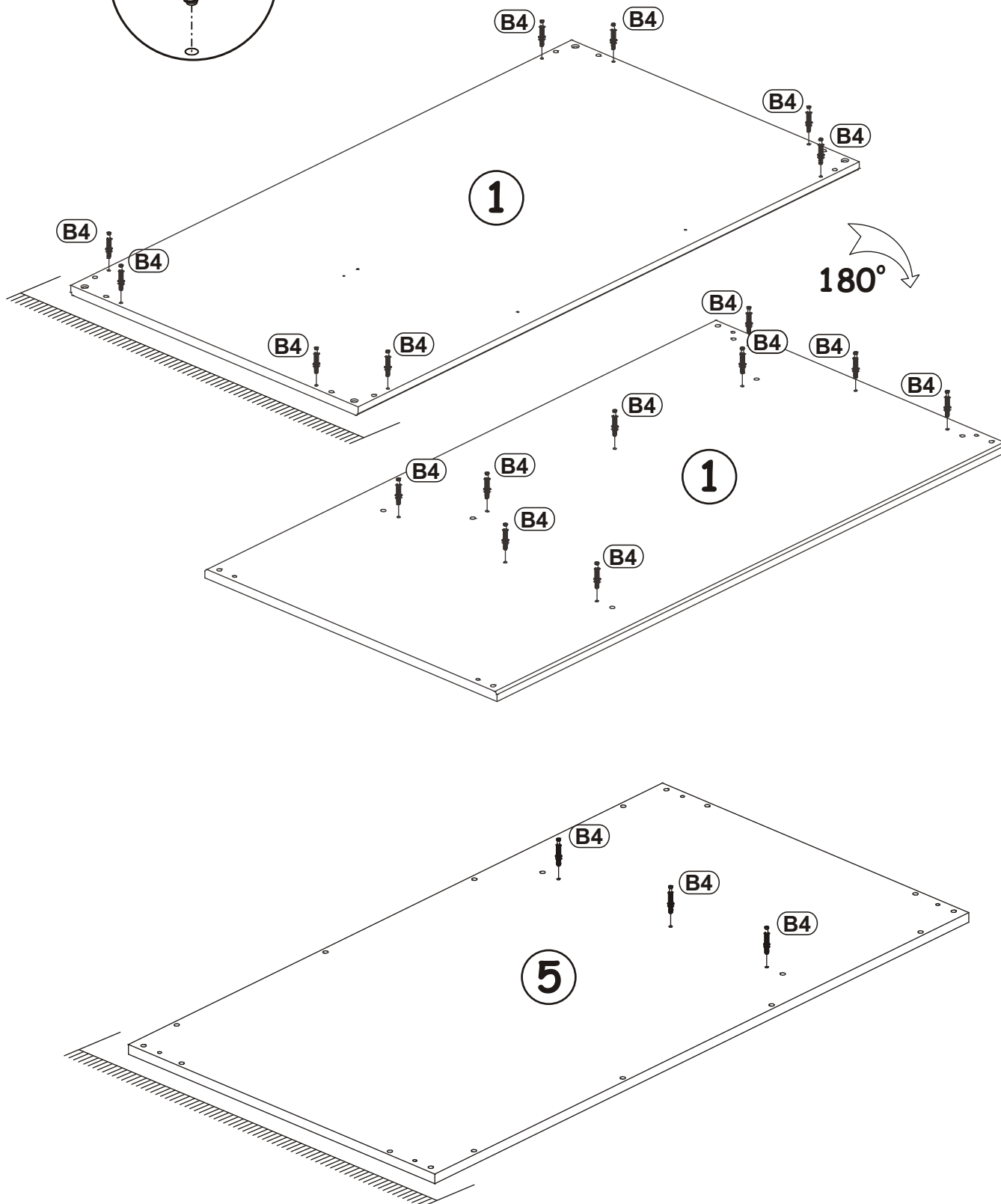
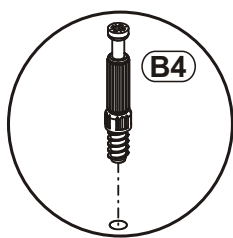
1

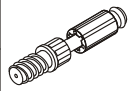
B5 x20	 ø15x12	B4 x5	 ø8x36	A1 x12	 ø8x36
EK6 x4	 EKØ6,3x13	H1 x2			

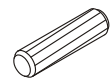


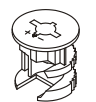
2

B4	
x20	

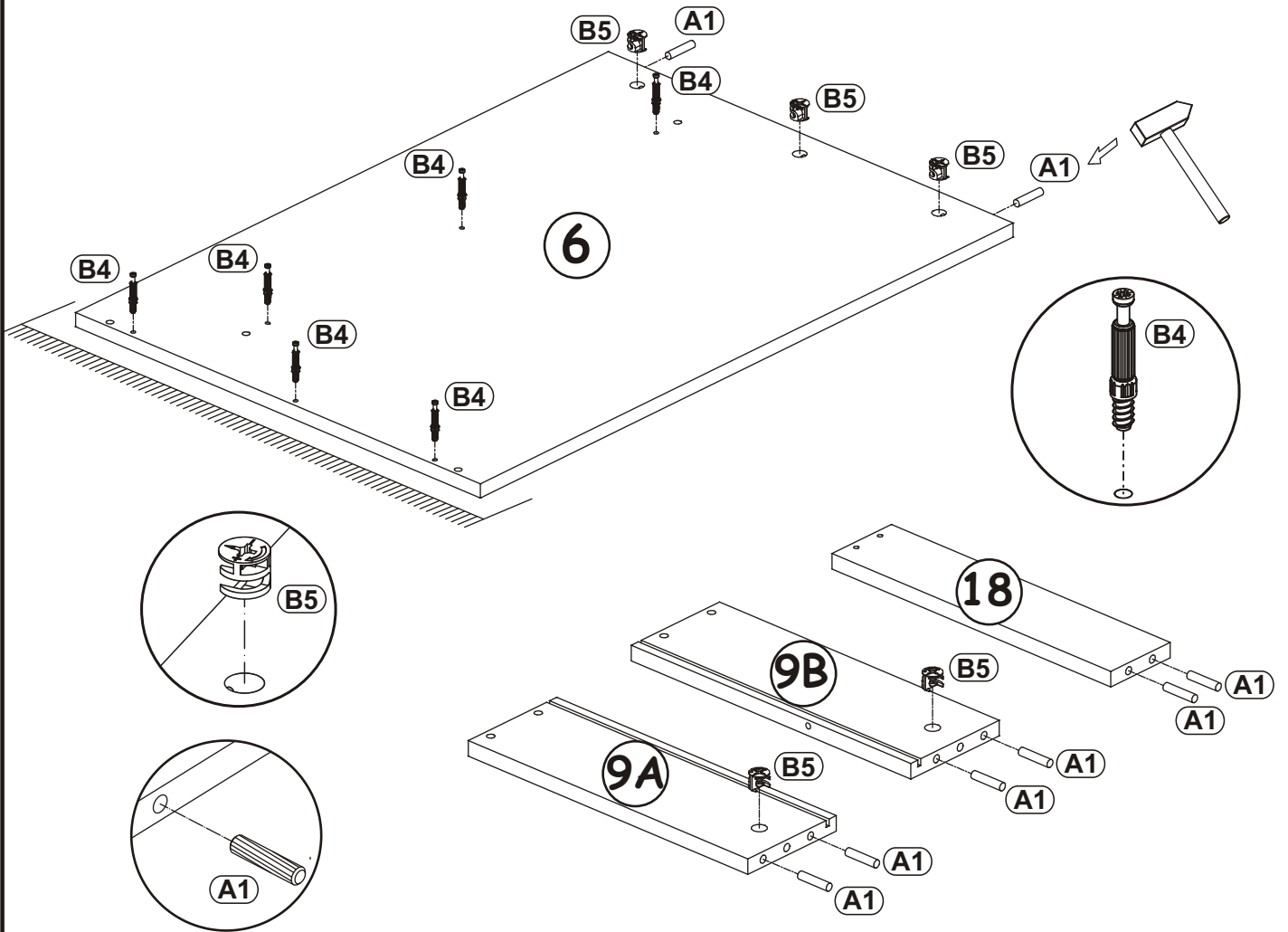


B4	
x6	

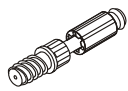
A1	
x8	ø8x36

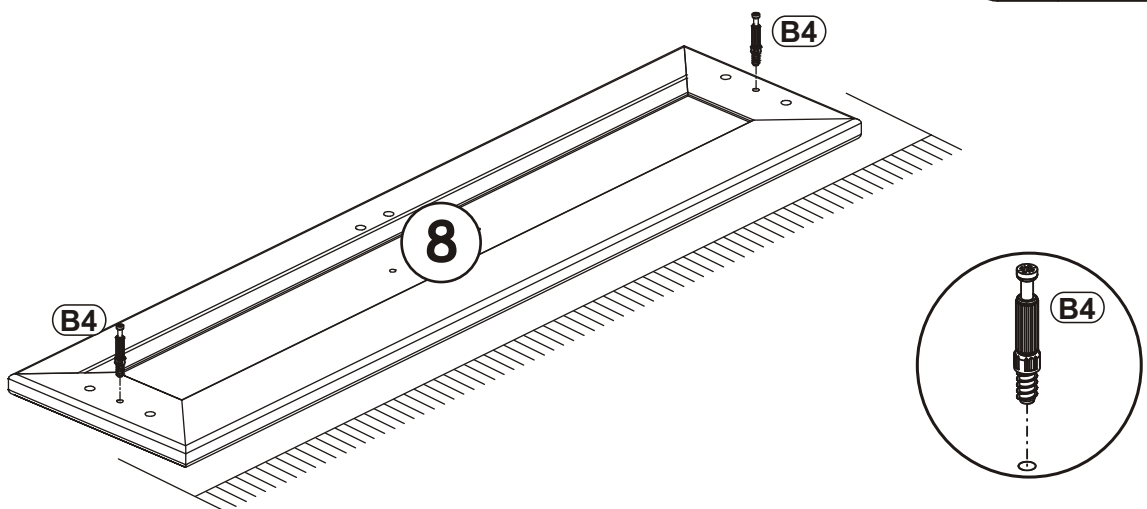
B5	
x5	ø15x12

3

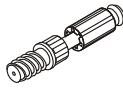

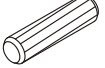


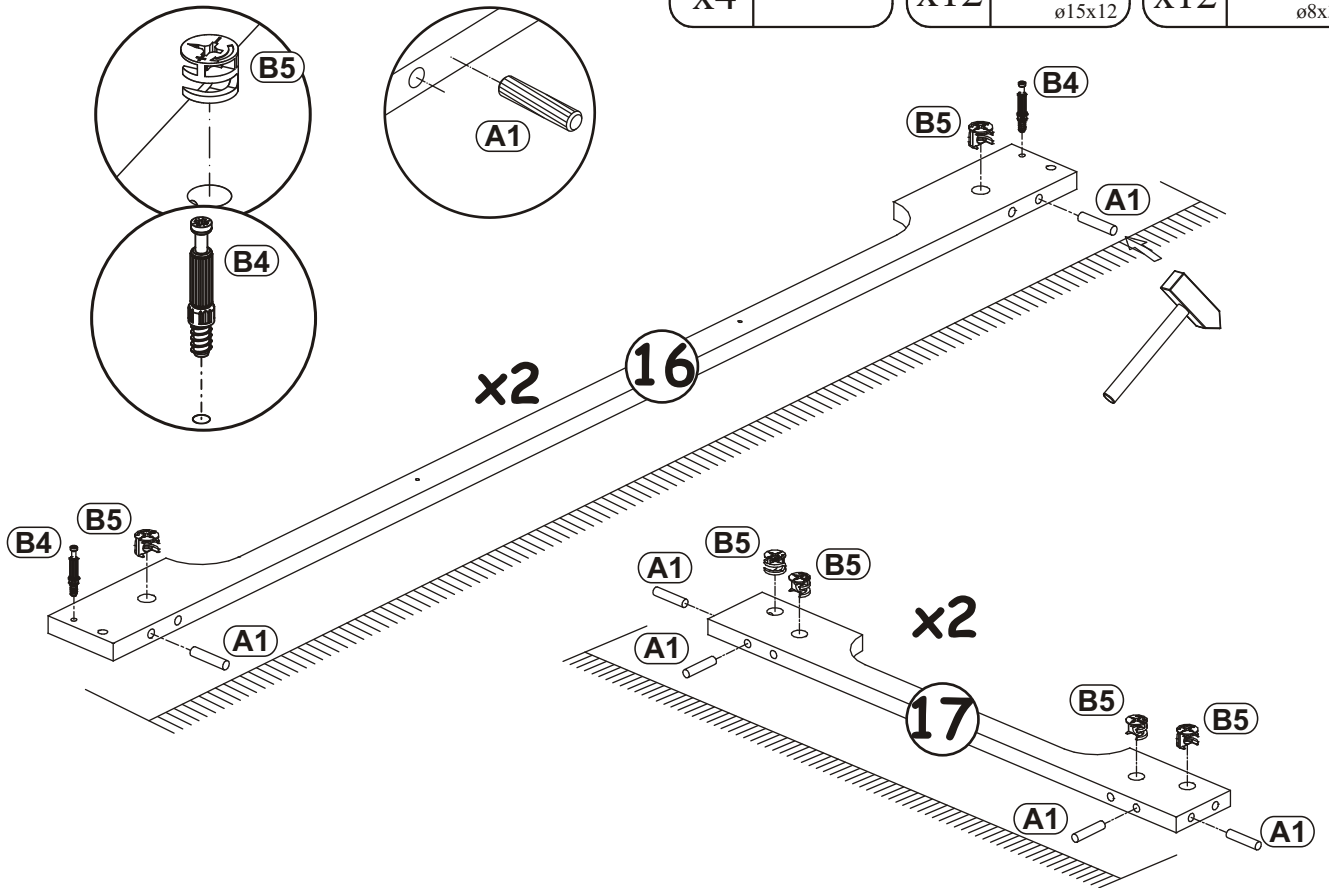
4

B4	
x2	

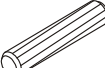


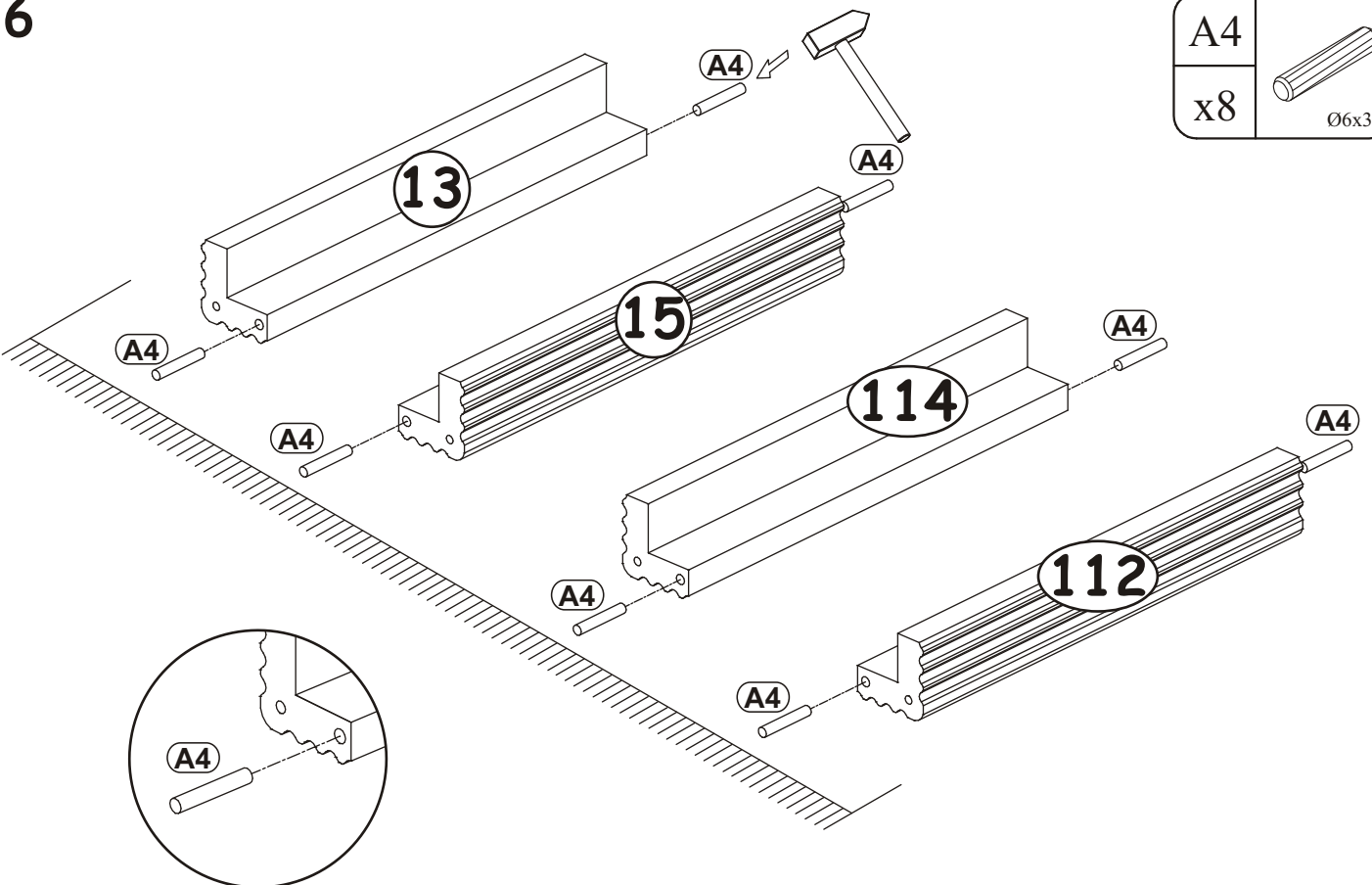
5

B4		B5		A1	
x4		x12	$\varnothing 15 \times 12$	x12	$\varnothing 8 \times 36$

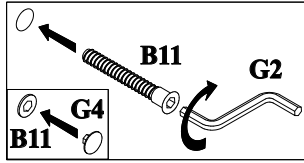


6

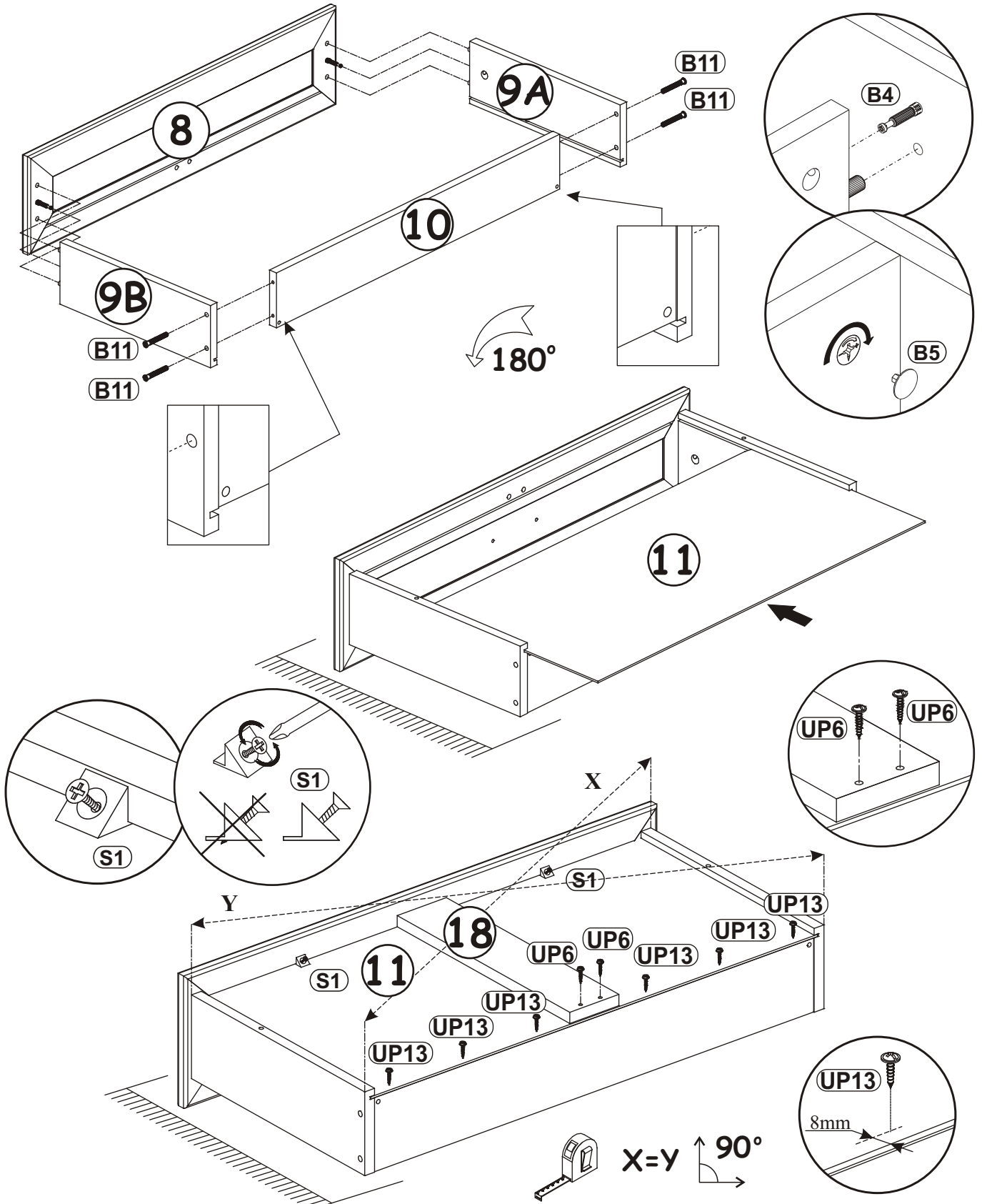
A4	
x8	$\varnothing 6 \times 36$

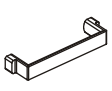
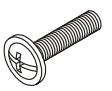


7

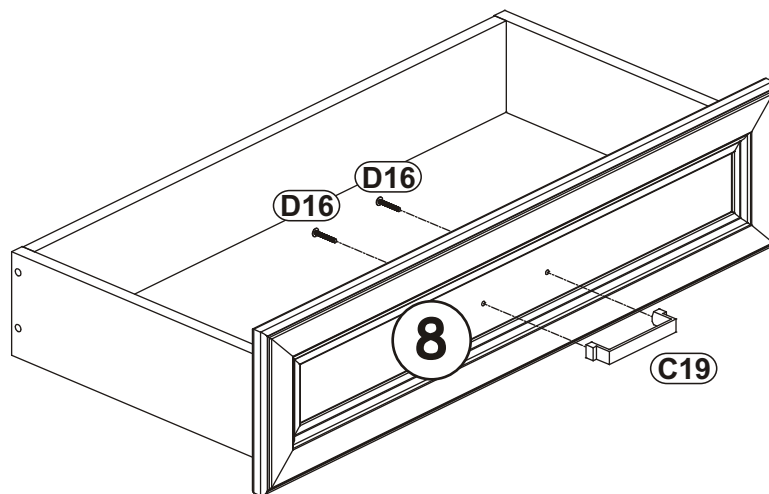


G5		B11		G4	
x2		x4	Ø7x50	x4	
UP13		S1		UP6	
x6	UPØ3x16	x2		x2	UPØ4x30




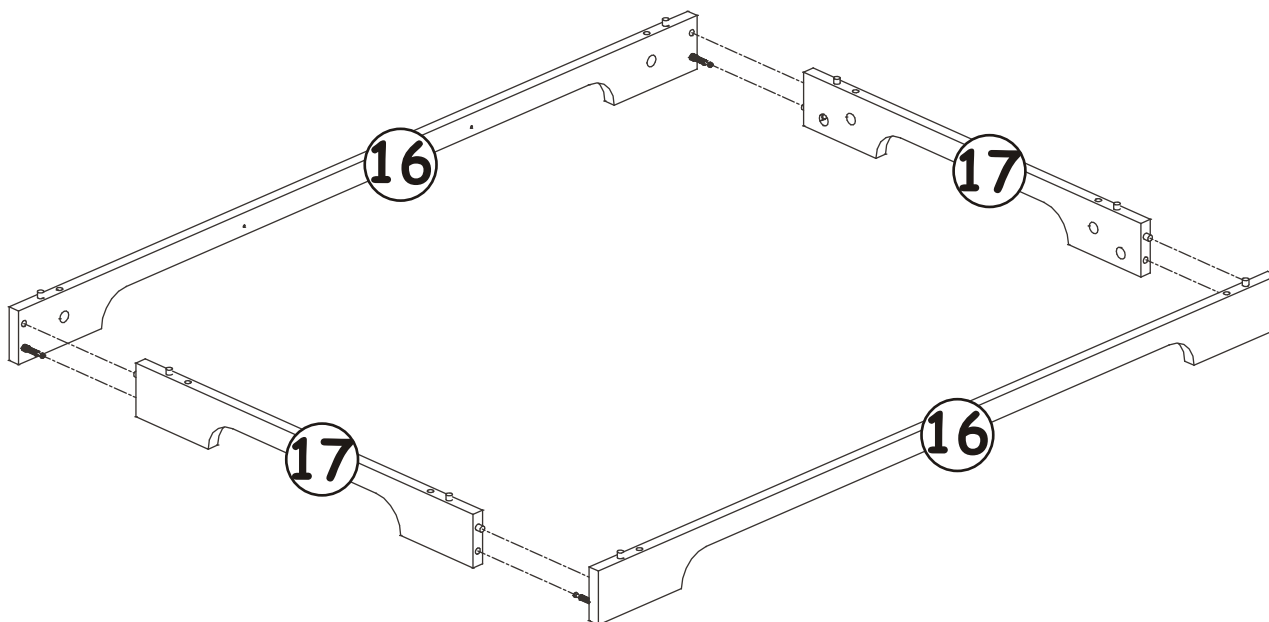
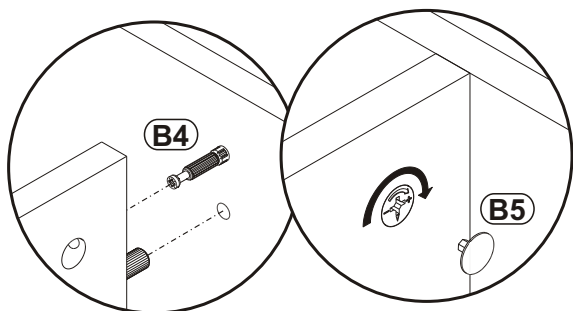
C19		D16	
x1		x2	M4x16

8




9

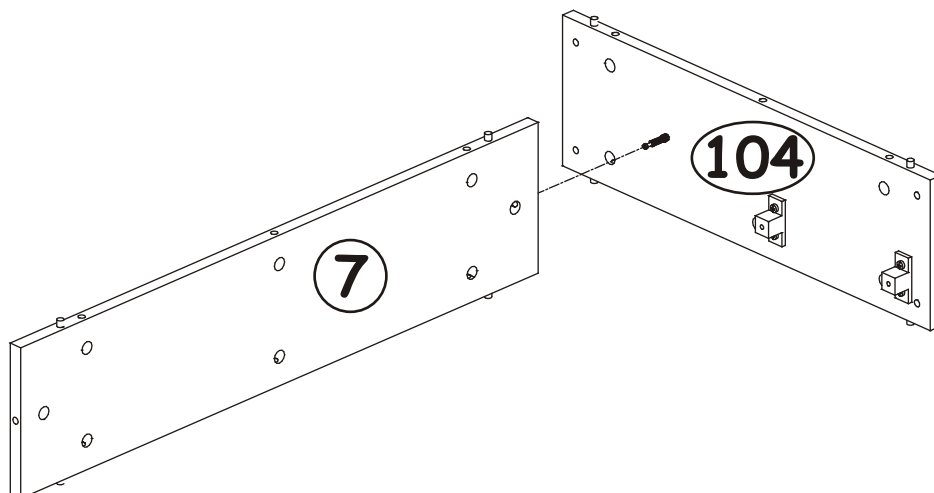
G5	
x4	



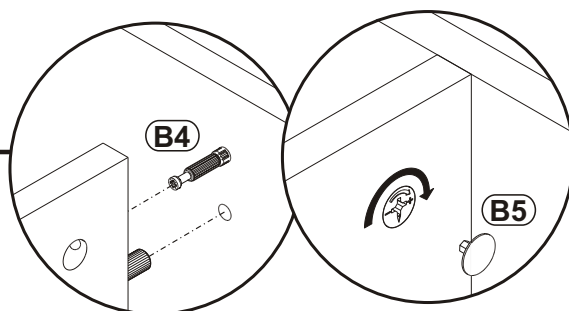



G5	
x1	

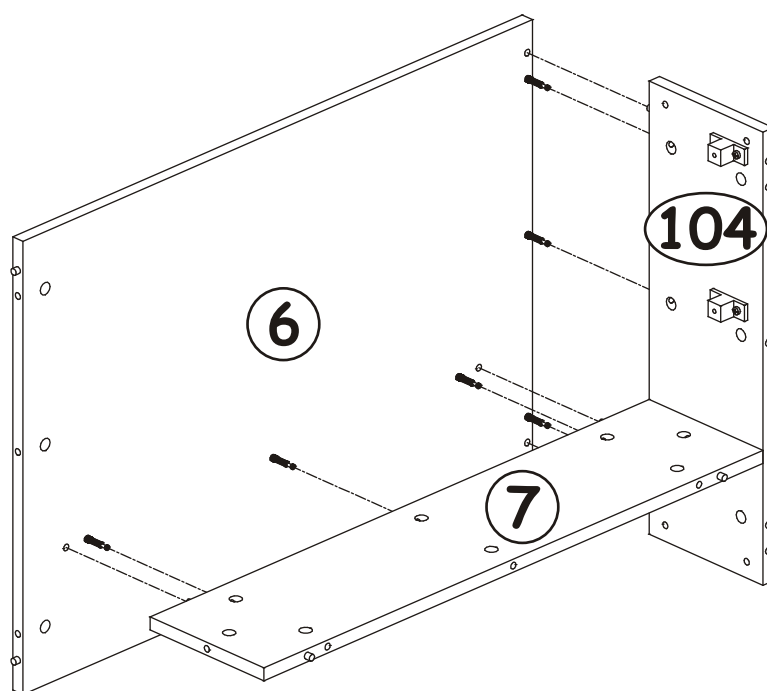
10




11

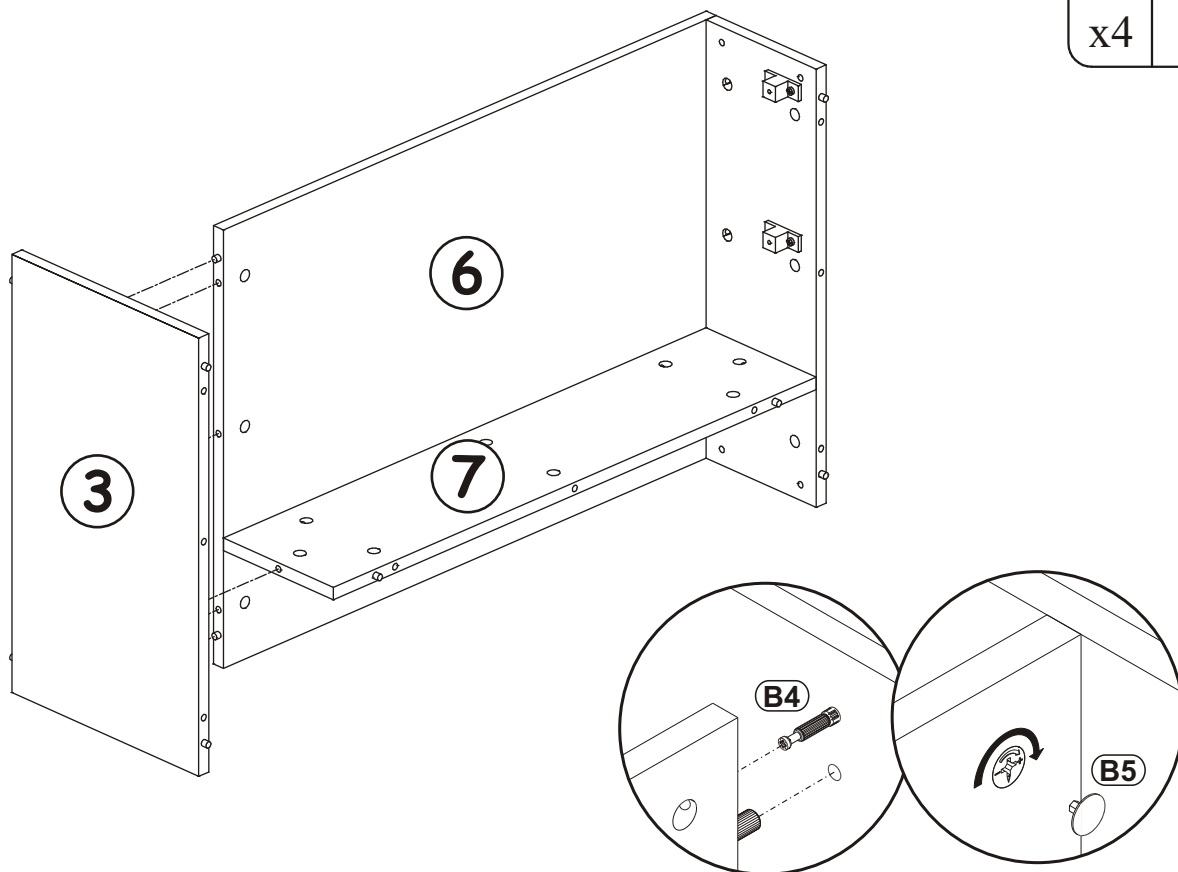


G5	
x6	



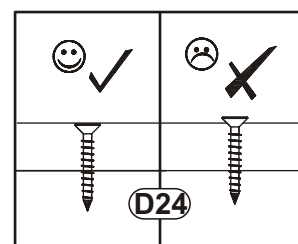
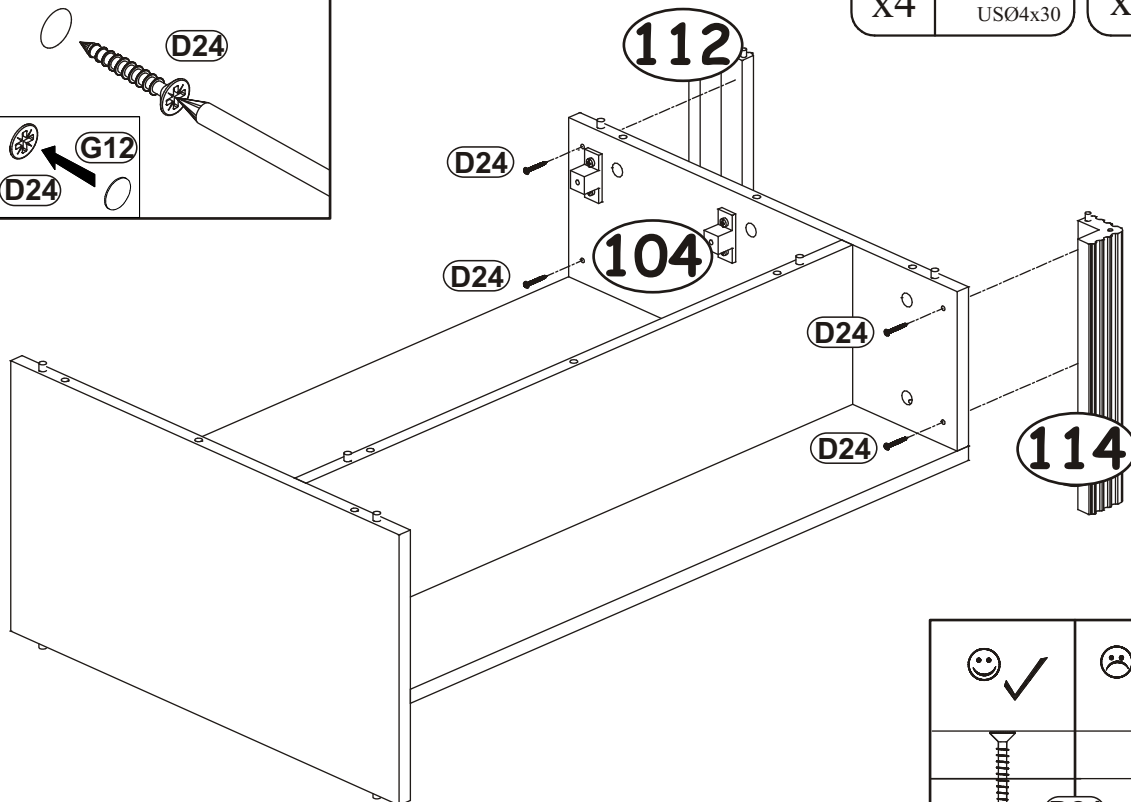
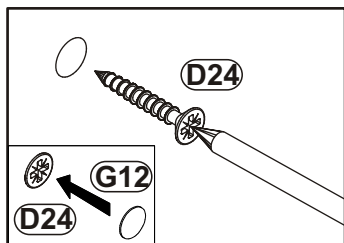
12

G5	
x4	

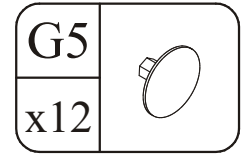
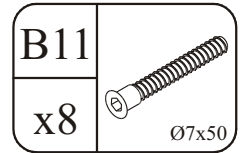
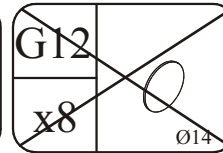
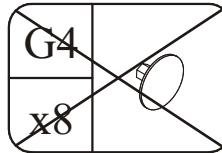
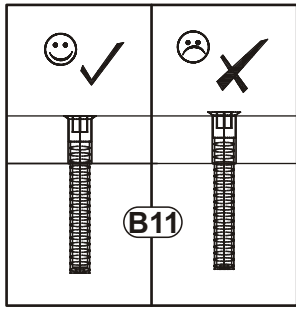


13

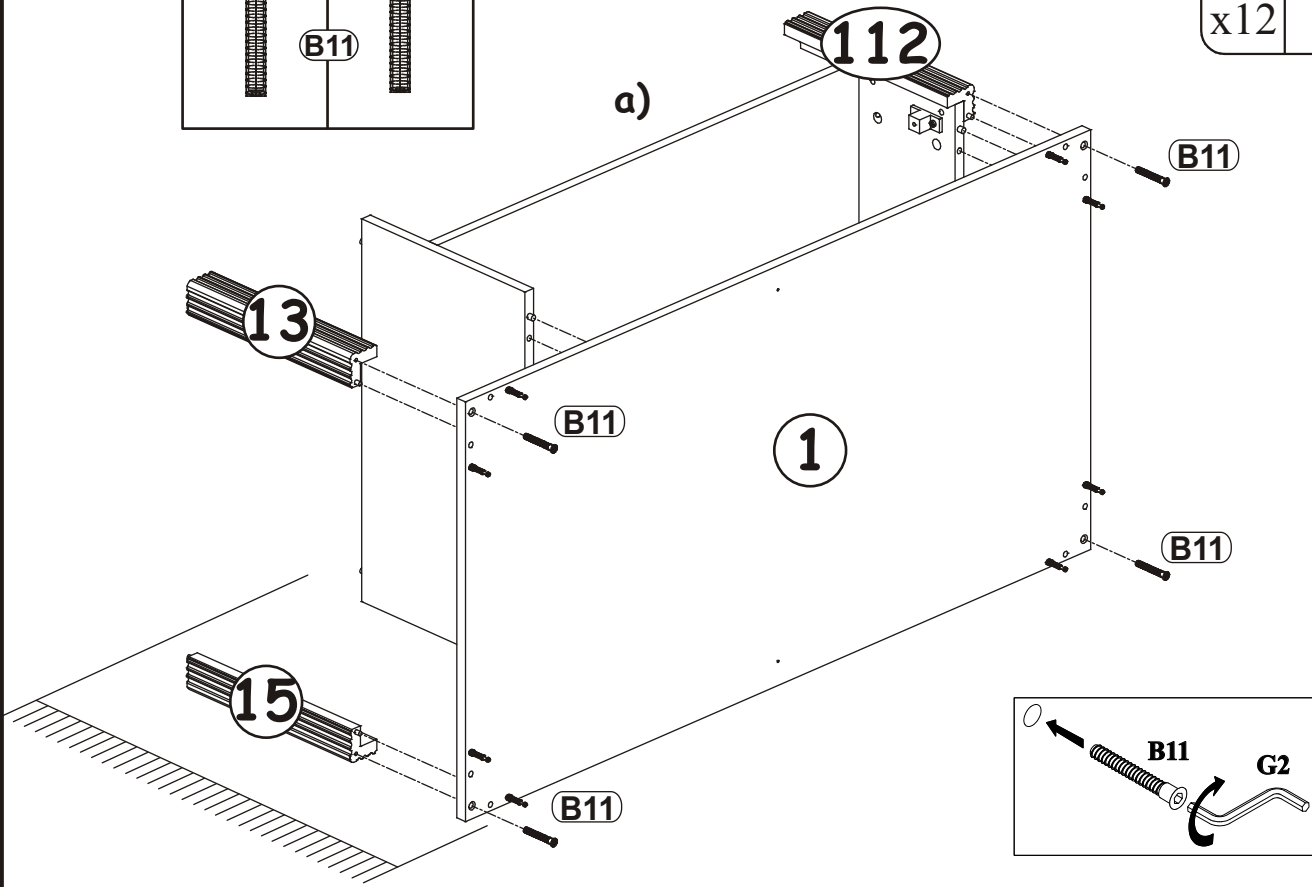
D24		G12	
x4	US04x30	x4	Ø14



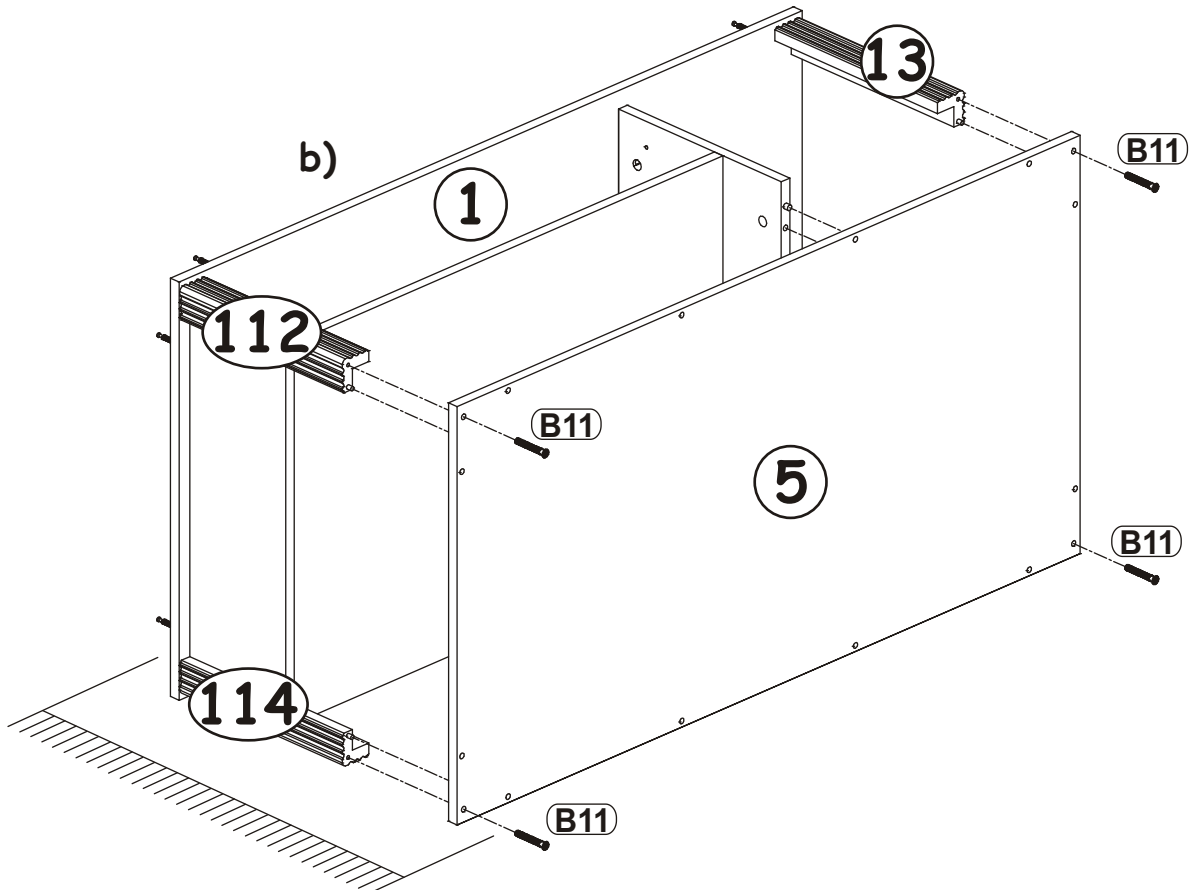
14






a)

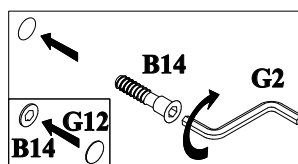
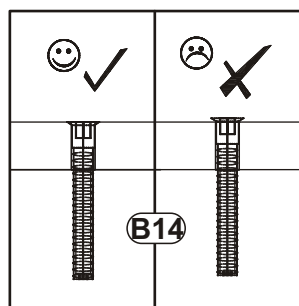
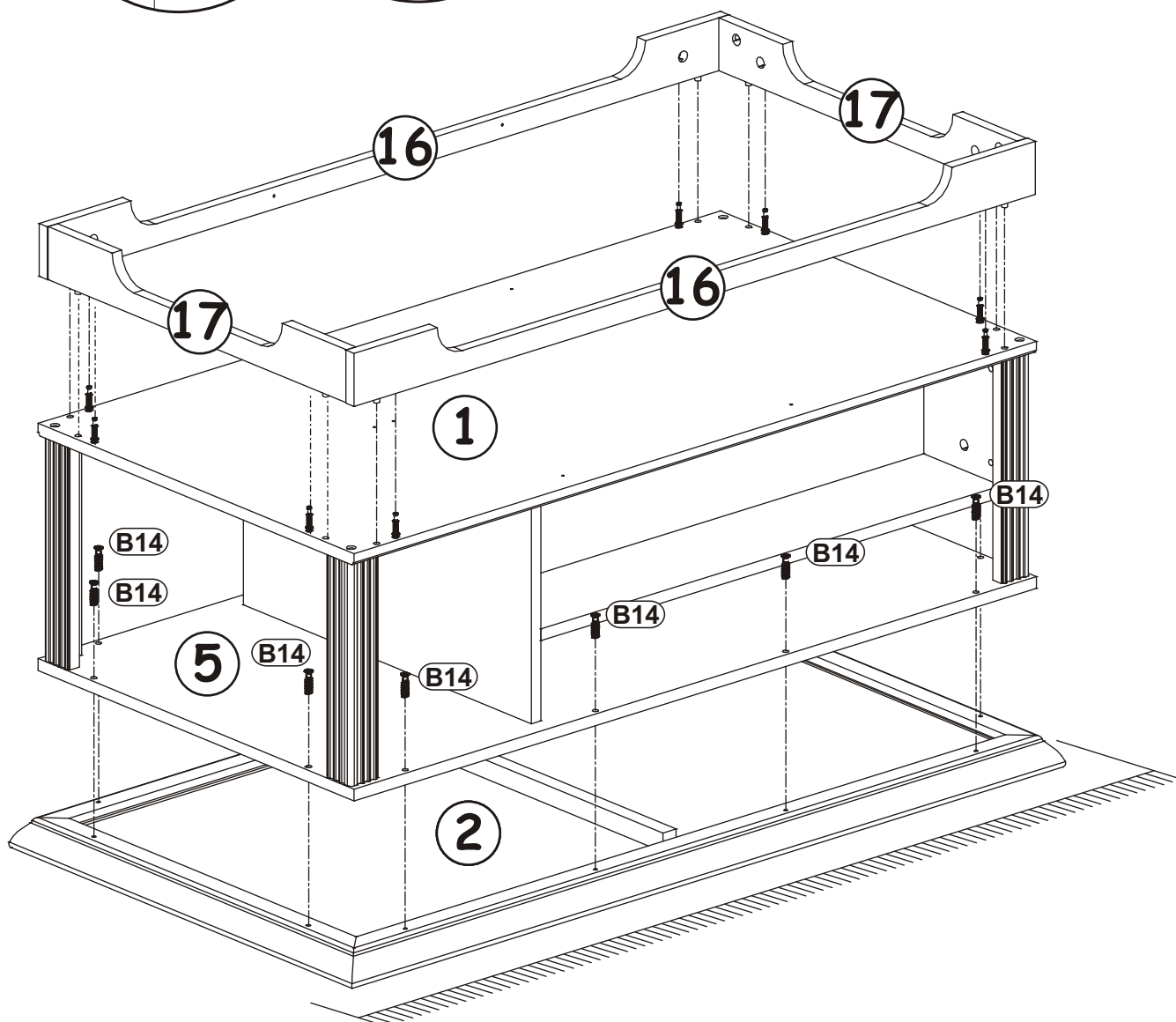
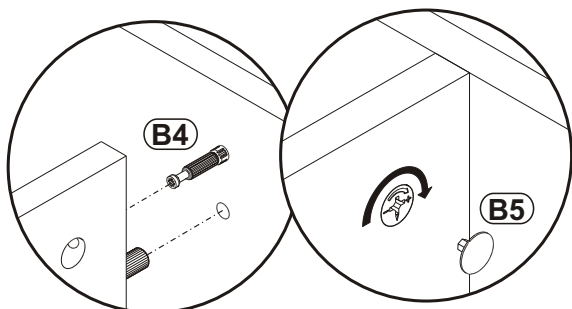


b)

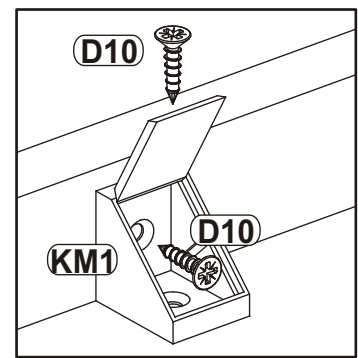
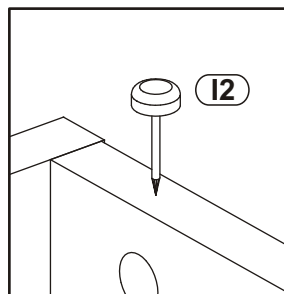
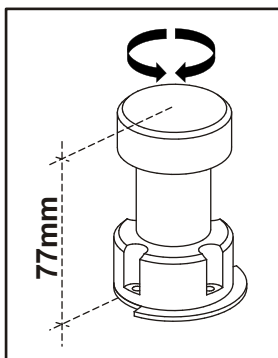
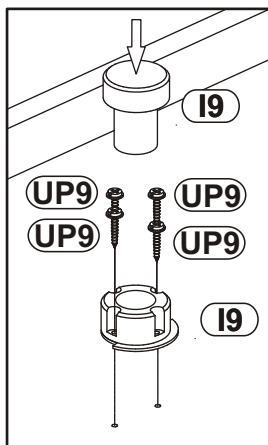
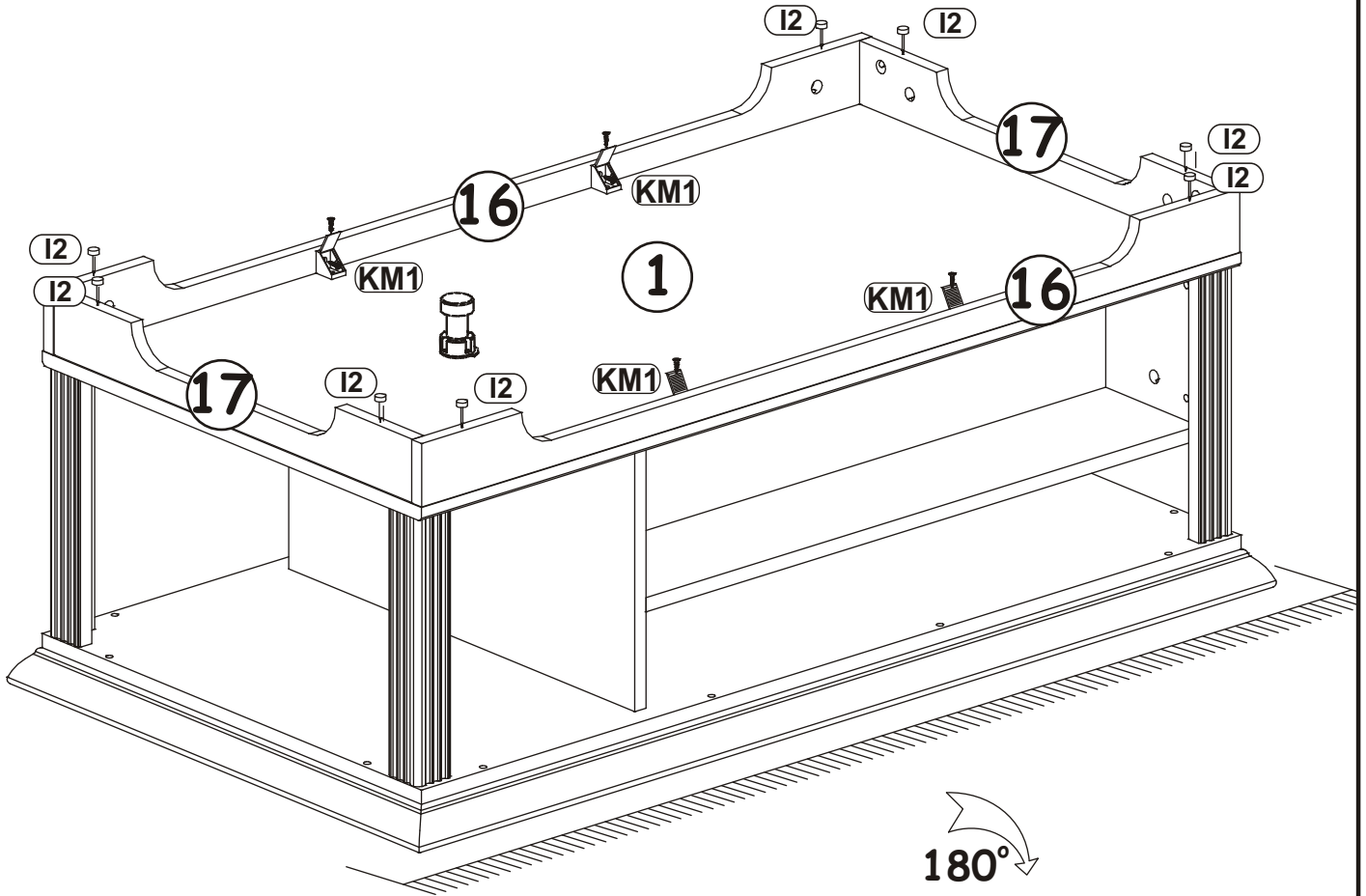
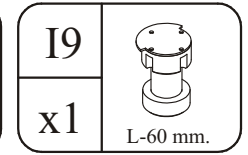
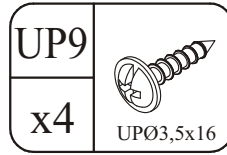
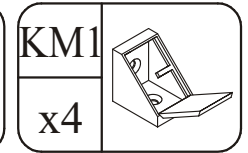
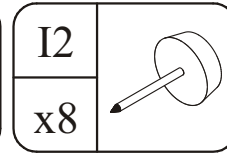
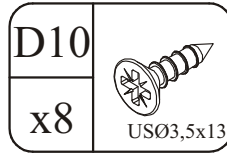


15

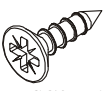

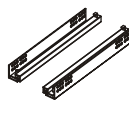
G5		G12		B14	
x8		x12	Ø14	x12	Ø7x30

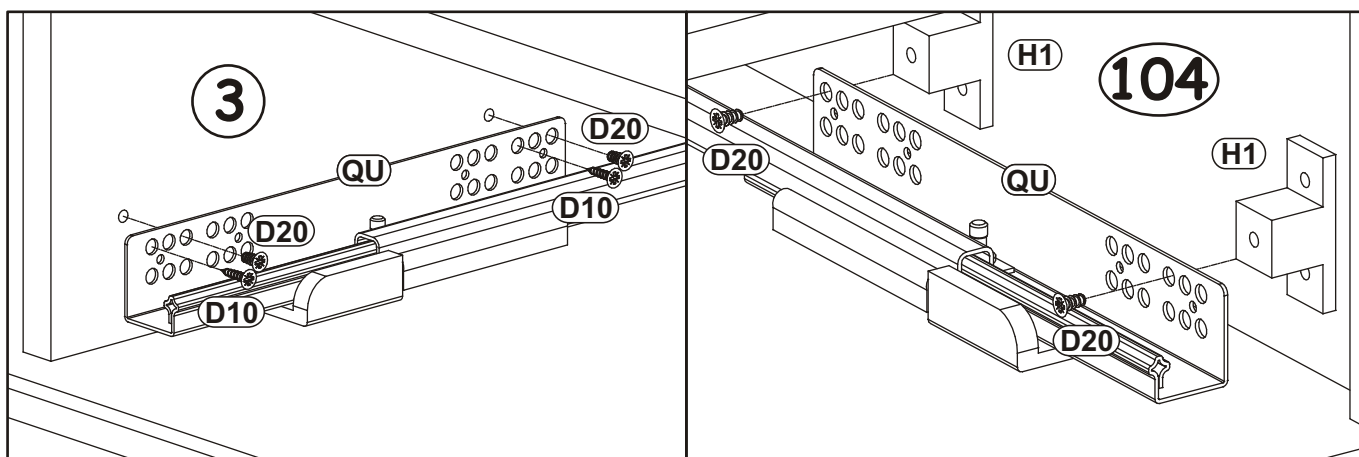
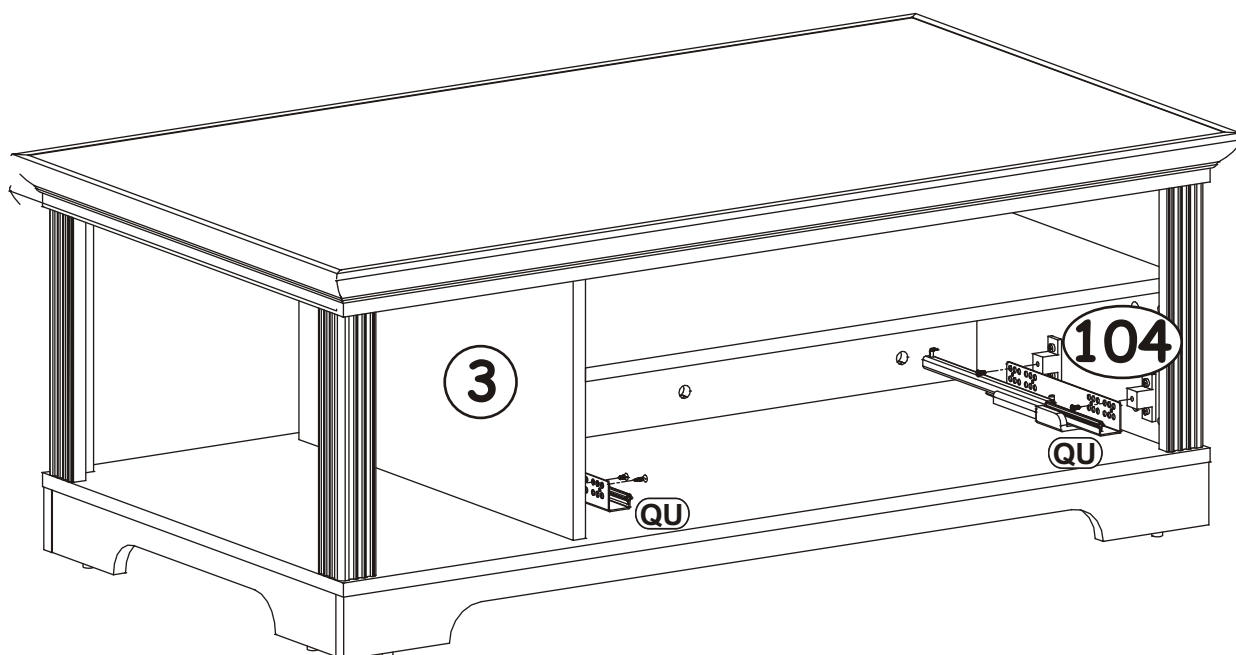


16



17

D10		D20		QU	
x2	USØ3,5x13	x4	ESØ6,3x9,5	x1	L-350



18

