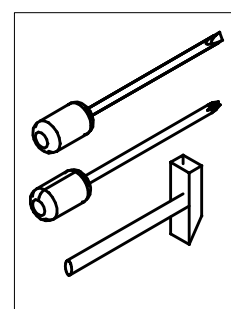
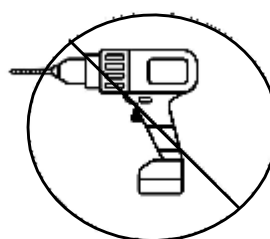
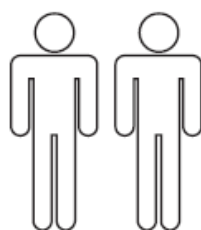
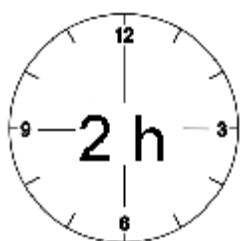
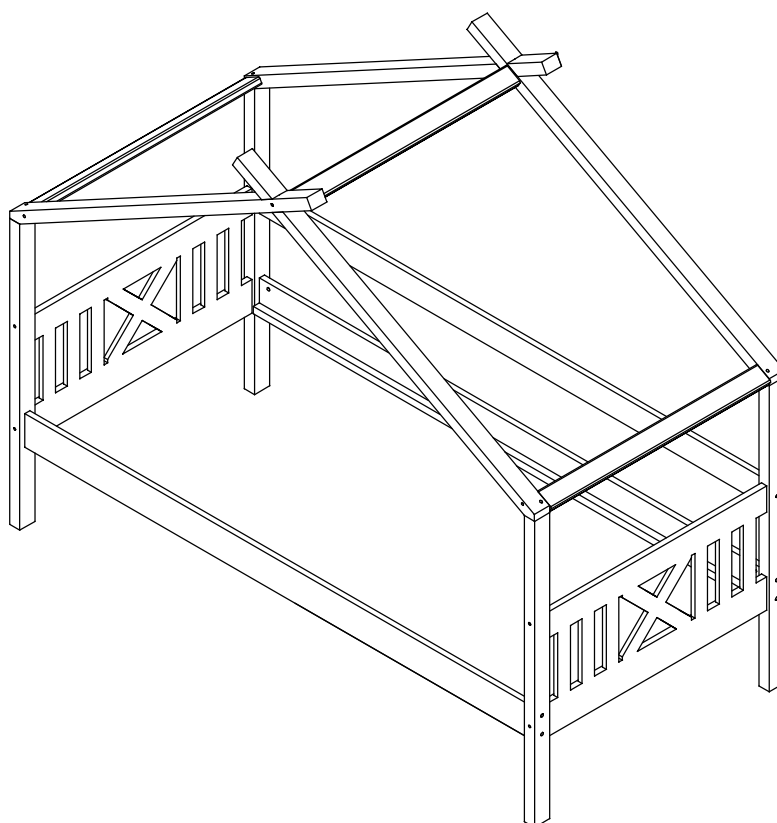


Pfostenbett JULETTA  
Art.Nr. 2247417G



**POL POWER**

ul. Poznanska, 113 A

62-052 Komorniki

Polen

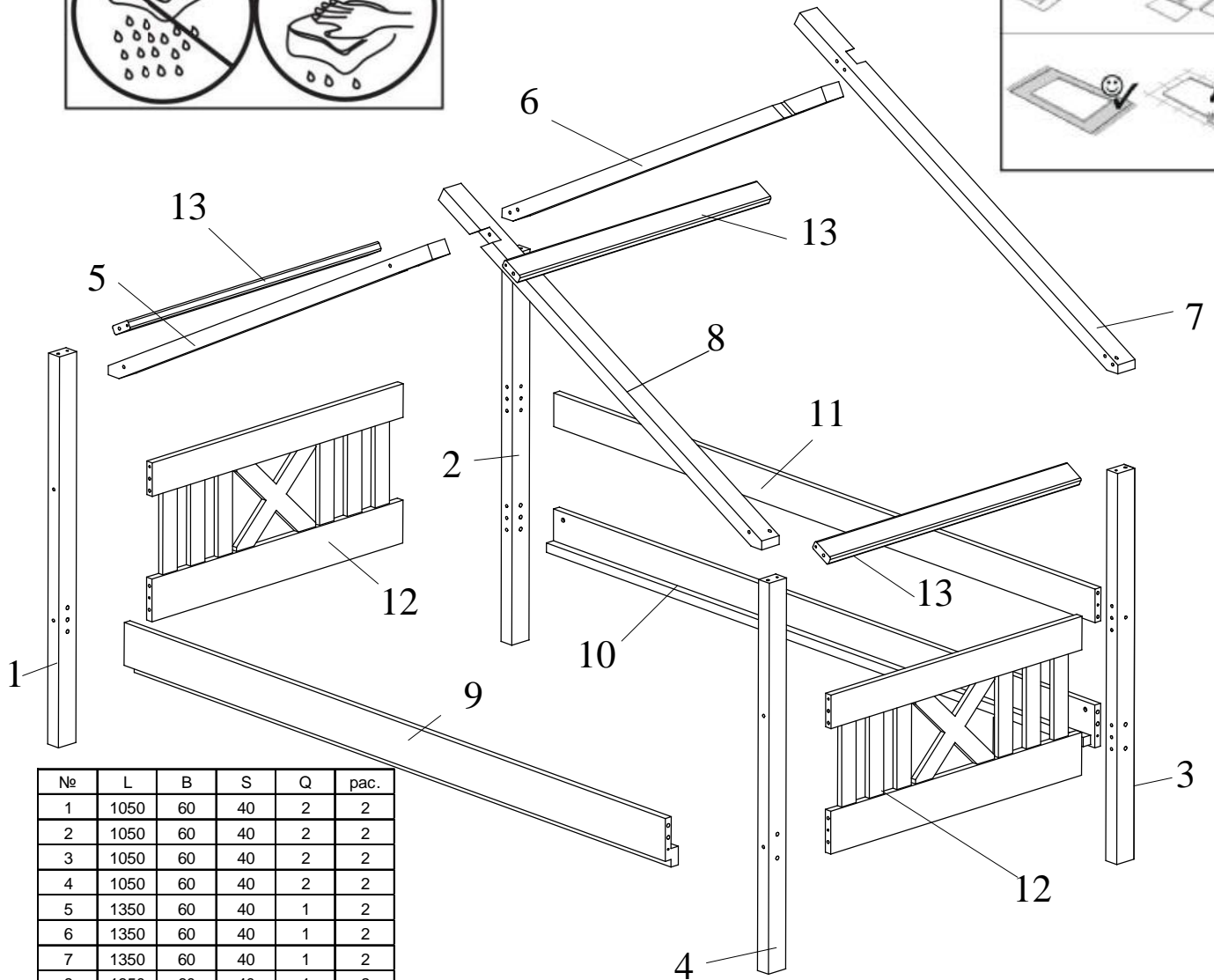
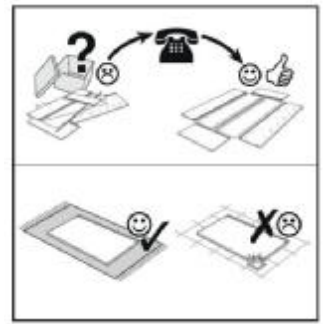
E-Mail: [info@pol-power.pl](mailto:info@pol-power.pl)

**BEGABINO**

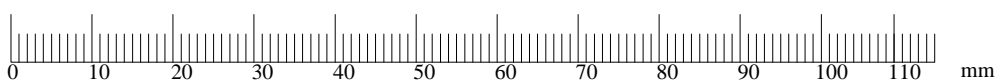
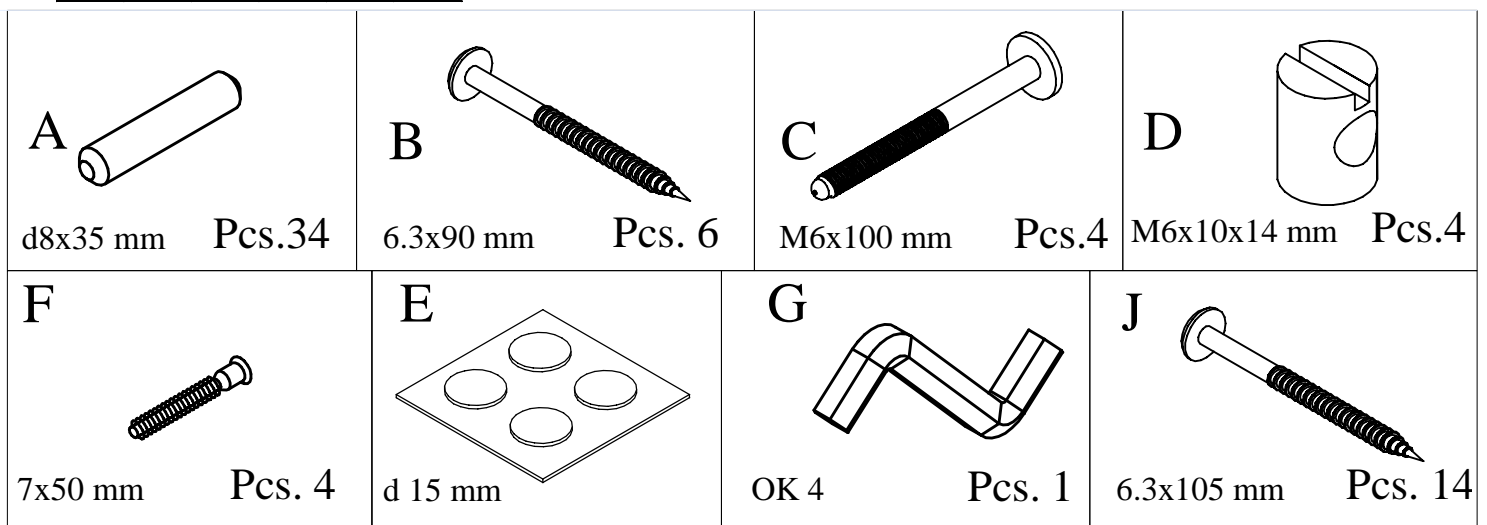
Siemens Str. 2

32676 Lügde Deutschland

E-Mail: [begabino@bega-consult.de](mailto:begabino@bega-consult.de)

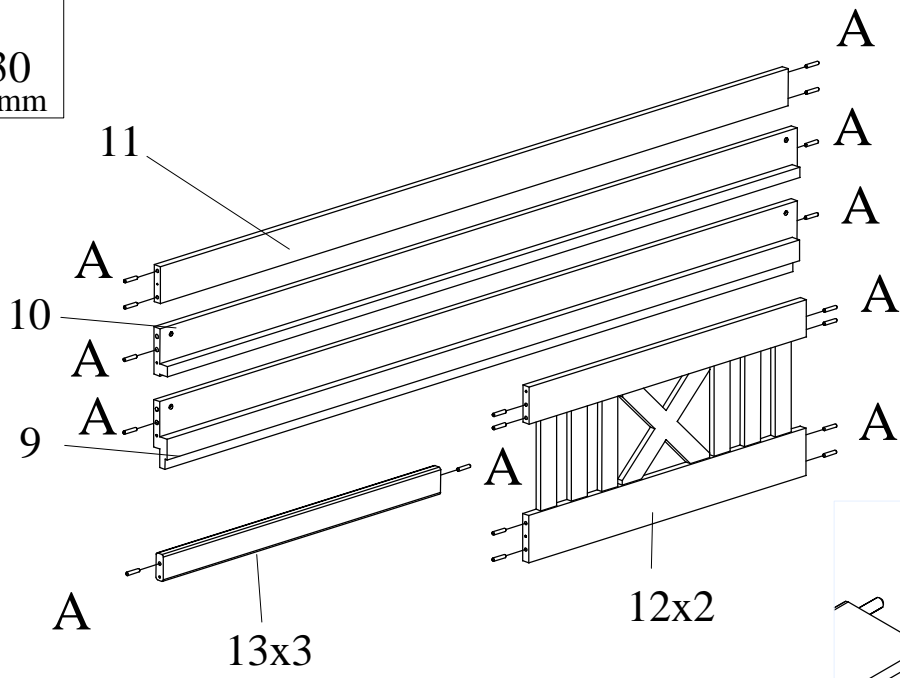


| №  | L    | B   | S  | Q | pac. |
|----|------|-----|----|---|------|
| 1  | 1050 | 60  | 40 | 2 | 2    |
| 2  | 1050 | 60  | 40 | 2 | 2    |
| 3  | 1050 | 60  | 40 | 2 | 2    |
| 4  | 1050 | 60  | 40 | 2 | 2    |
| 5  | 1350 | 60  | 40 | 1 | 2    |
| 6  | 1350 | 60  | 40 | 1 | 2    |
| 7  | 1350 | 60  | 40 | 1 | 2    |
| 8  | 1350 | 60  | 40 | 1 | 2    |
| 9  | 2000 | 135 | 50 | 1 | 2    |
| 10 | 2000 | 115 | 50 | 1 | 2    |
| 11 | 2000 | 90  | 20 | 1 | 2    |
| 12 | 870  | 427 | 20 | 2 | 1    |
| 13 | 870  | 65  | 20 | 3 | 2    |



1

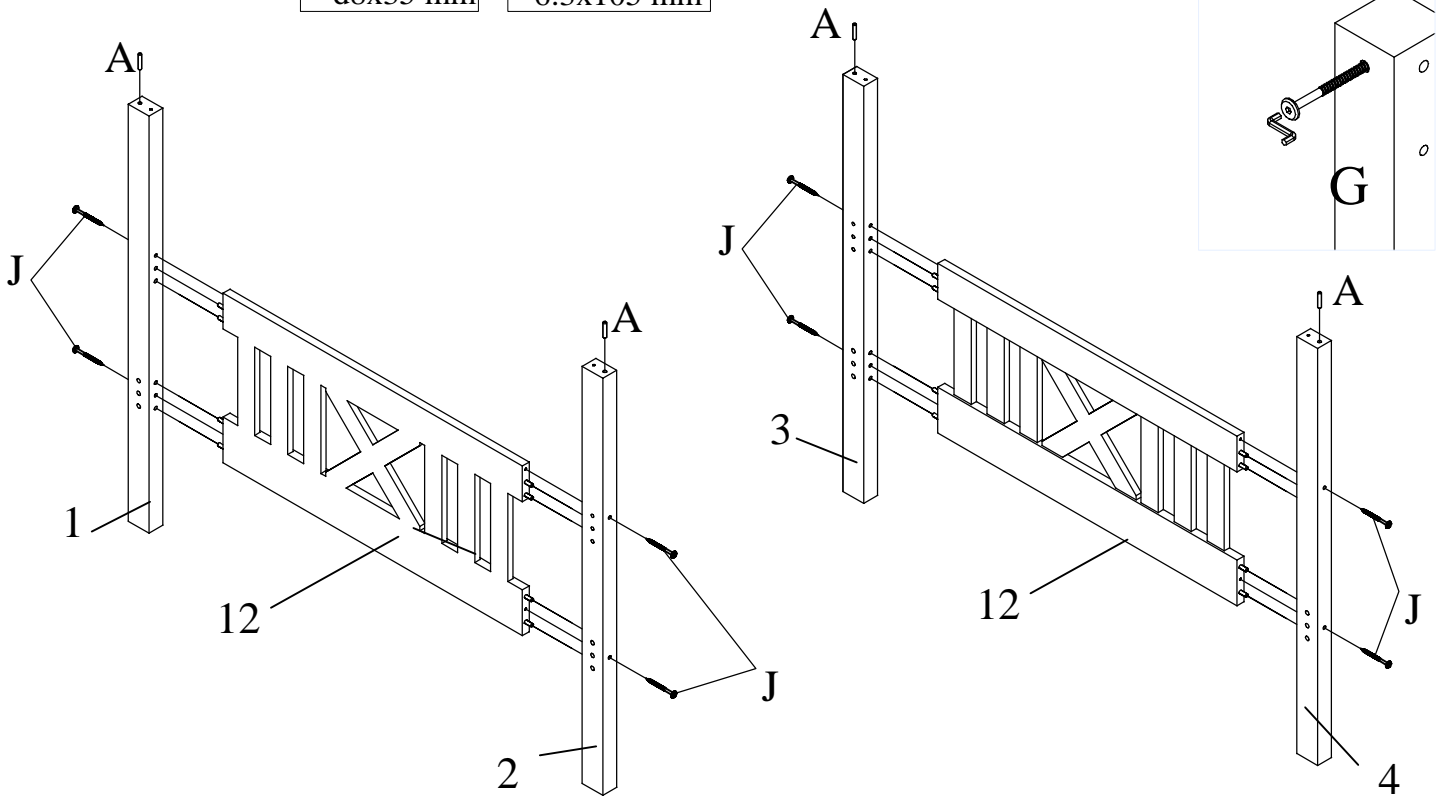
A  
Pcs.30  
d8x35 mm



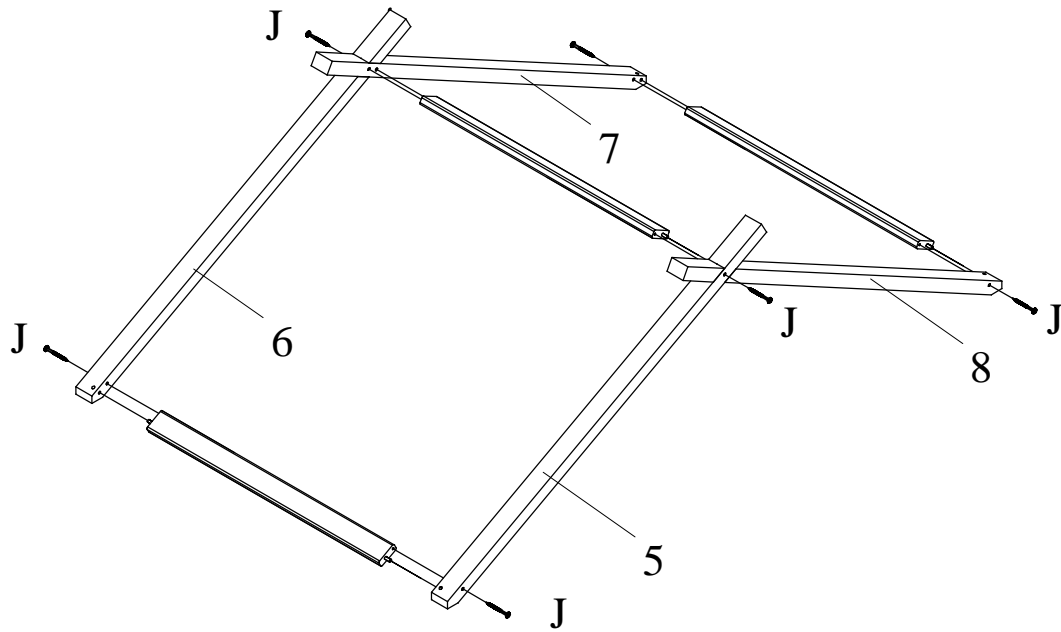
2


A  
Pcs.4  
d8x35 mm

J  
Pcs. 8  
6.3x105 mm

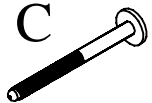


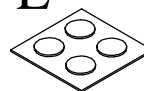
3





**J**   
 Pcs. 6  
 6.3x105 mm

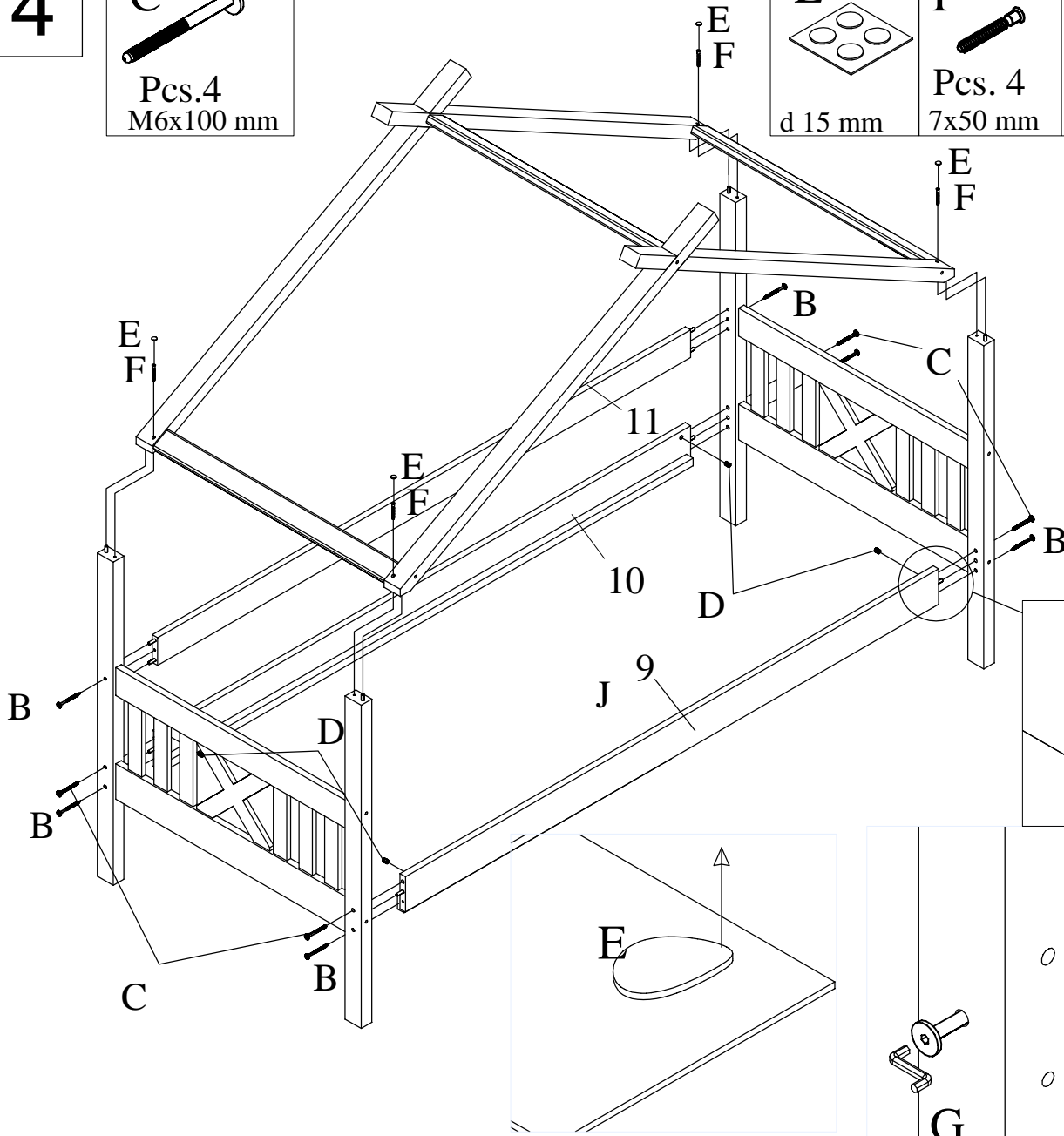
4


**C**   
 Pcs. 4  
 M6x100 mm

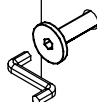
**E**   
 d 15 mm

**F**   
 Pcs. 4  
 7x50 mm

**D**   
 Pcs. 4  
 M6x10x14 mm



**B**   
 Pcs. 6  
 6.3x90 mm

**G** 

4