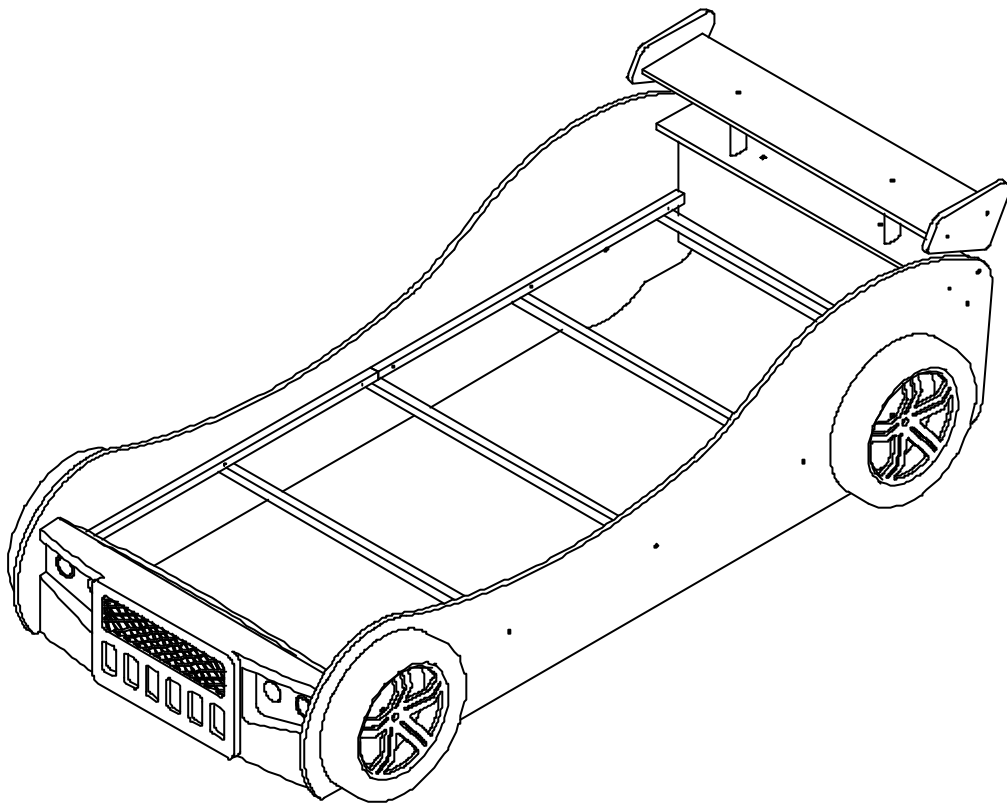
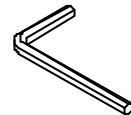
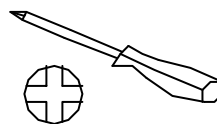
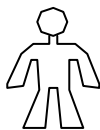


# MODELL: 57-515-77-3 ENERGY


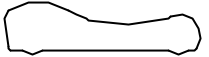

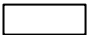
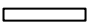
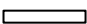









ASSEMBLE DIFFICULTY

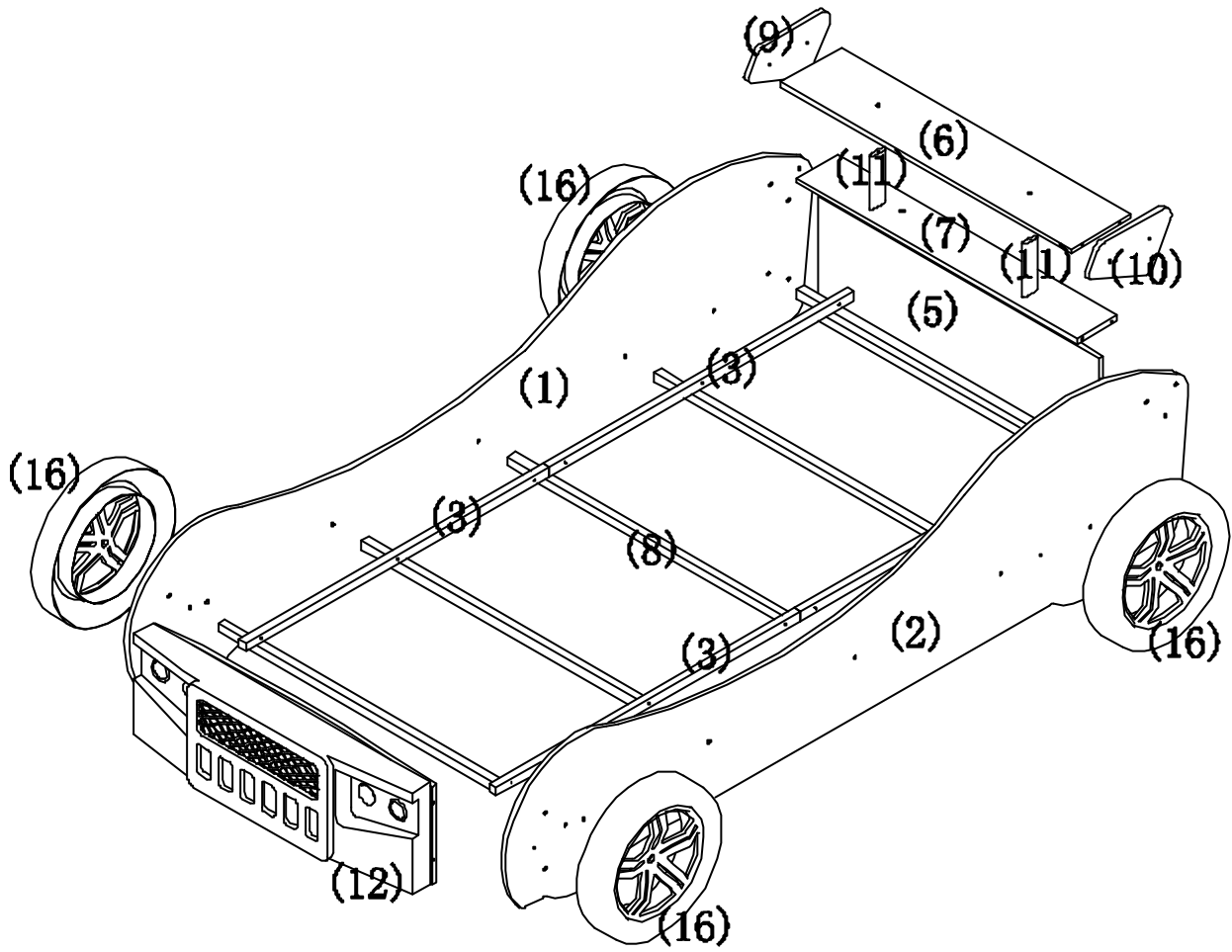
1 2 ③ 4 5






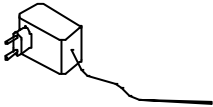



## DESCRIPTION OF COMPONENT

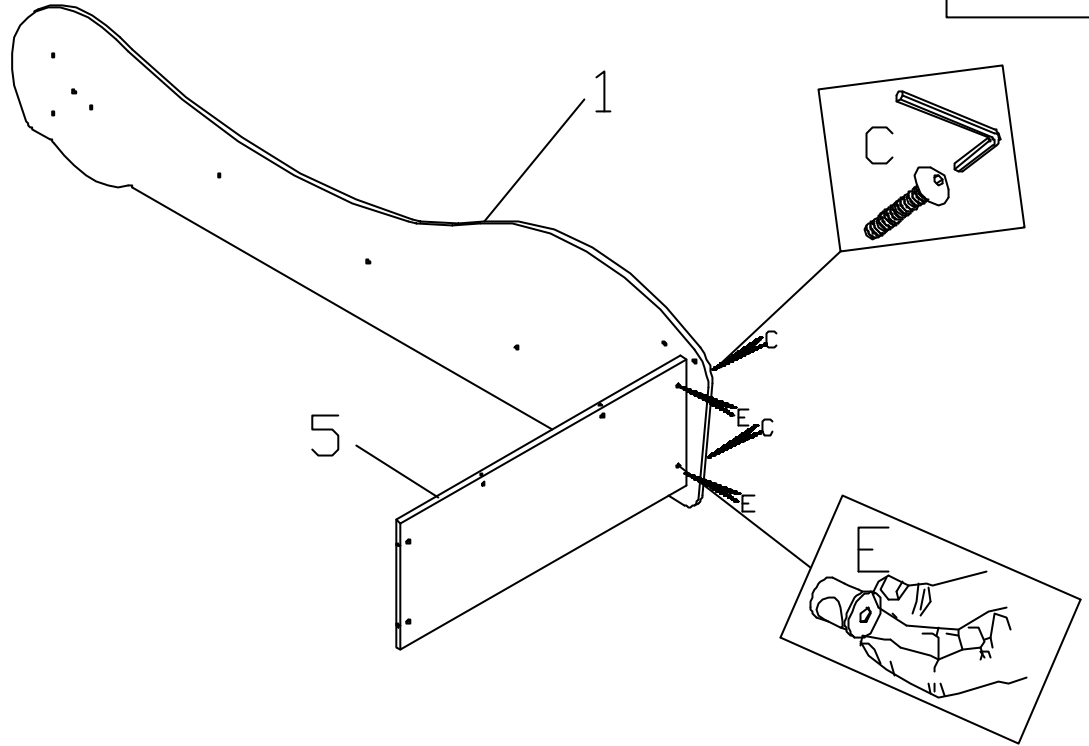
ITEM NO	WORK PIECE DESCRIPTION	MEASUREMENT	QTY	COLOUR	SHAPE	PACK IN BOX
(1)	SIDE PANEL (L)	2250*600*15	1	BLUE		1/3
(2)	SIDE PANEL (R)	2250*600*15	1	BLUE		1/3
(3)	ARTICLE RIBS	1000*25*22	4	WHITE		1/3
(5)	BACK PANEL	905*354*15	1	BLUE		1/3
(6)	REAR UPPER MIDDLE FILTER	905*135*15	1	BLUE		1/3
(7)	REAR LOWER MIDDLE FILTER	905*135*15	1	BLUE		1/3
(8)	SQUARE PIPE	905*25*25	5	WHITE		1/3
(9)	REAR UPPER SIDE BOARD (L)	272*162*15	1	BLUE		1/3
(10)	REAR UPPER SIDE BOARD (R)	272*162*15	1	BLUE		1/3
(11)	CONNECTED IRON	150*50*20	2	BLACK		1/3
(12)	FRONT PANEL	905*300*15	1	BLUE		2/3
(16)	TYRE	410*410*72	4	BLACK		3/3
(18)	HARDWARE	216*114*57	1	BROWN		3/3

MODEL: B131B (905\*2020)



A	B	C	D	E	F	G
						
M6*65 QTY:4	QTY:4	M6*50 QTY:28	M8*30 QTY:12	QTY:18	QTY:1	M6*40 QTY:4

1



C



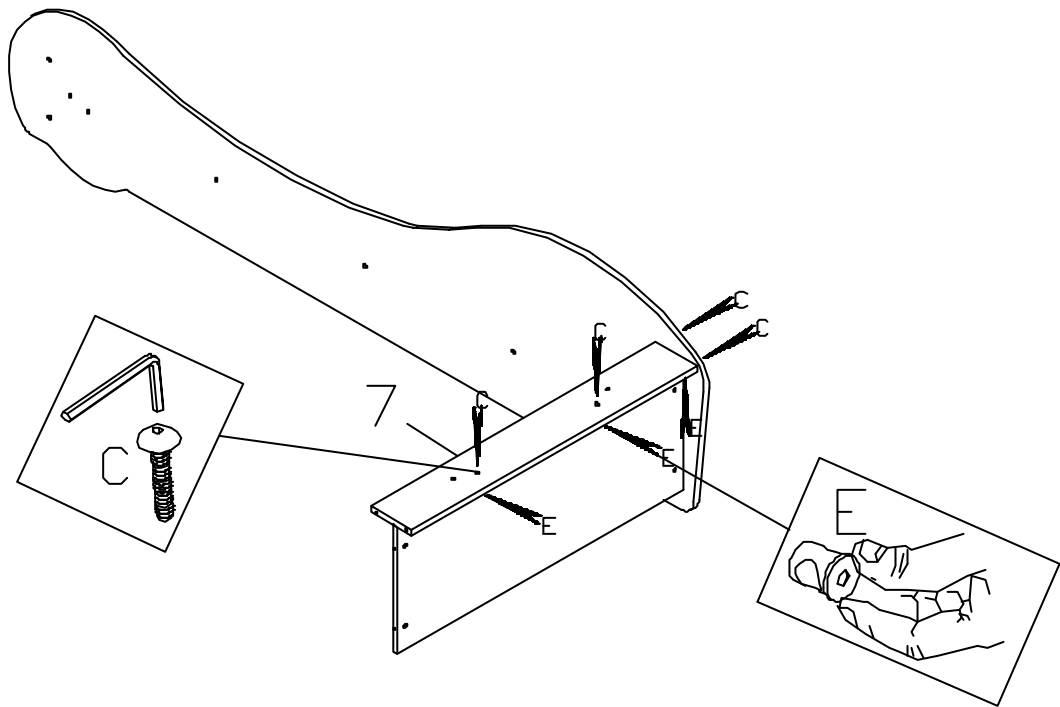
M6\*50  
QTY:2

E



QTY:2

2



C



M6\*50  
QTY:4

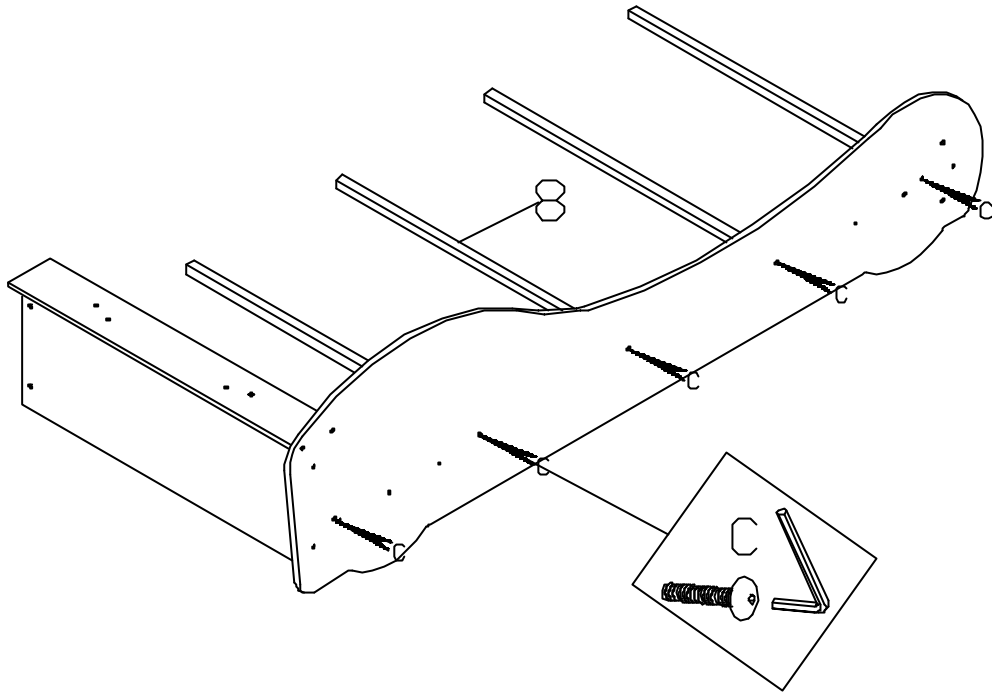
E



QTY:4

6/10

3



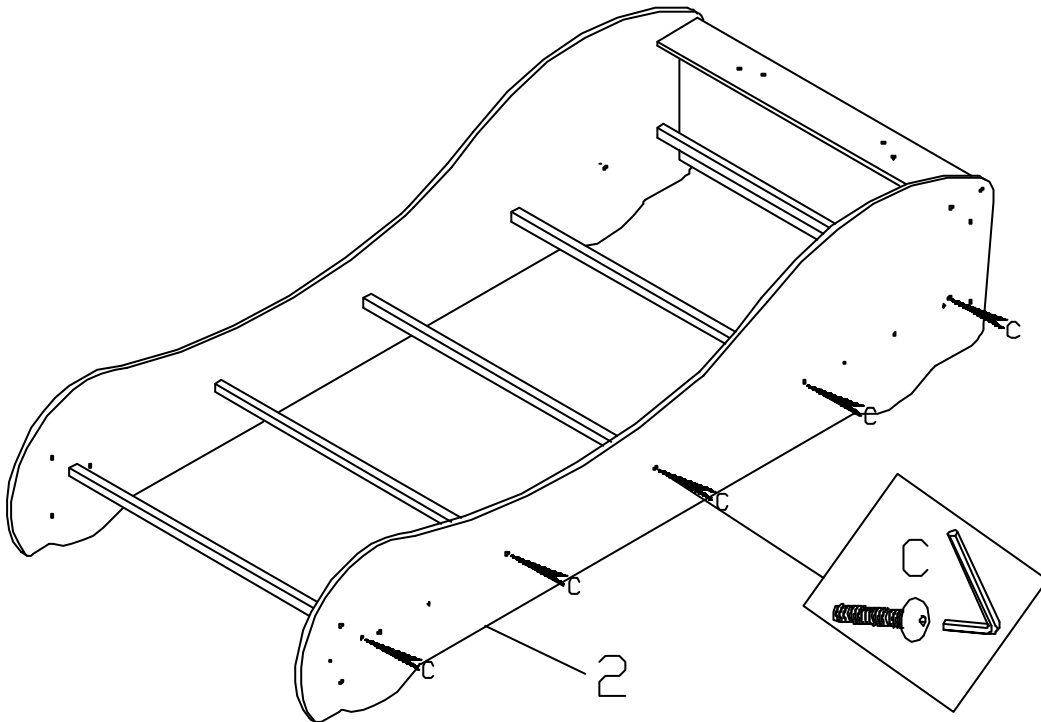
C



M6\*50

QTY:5

4



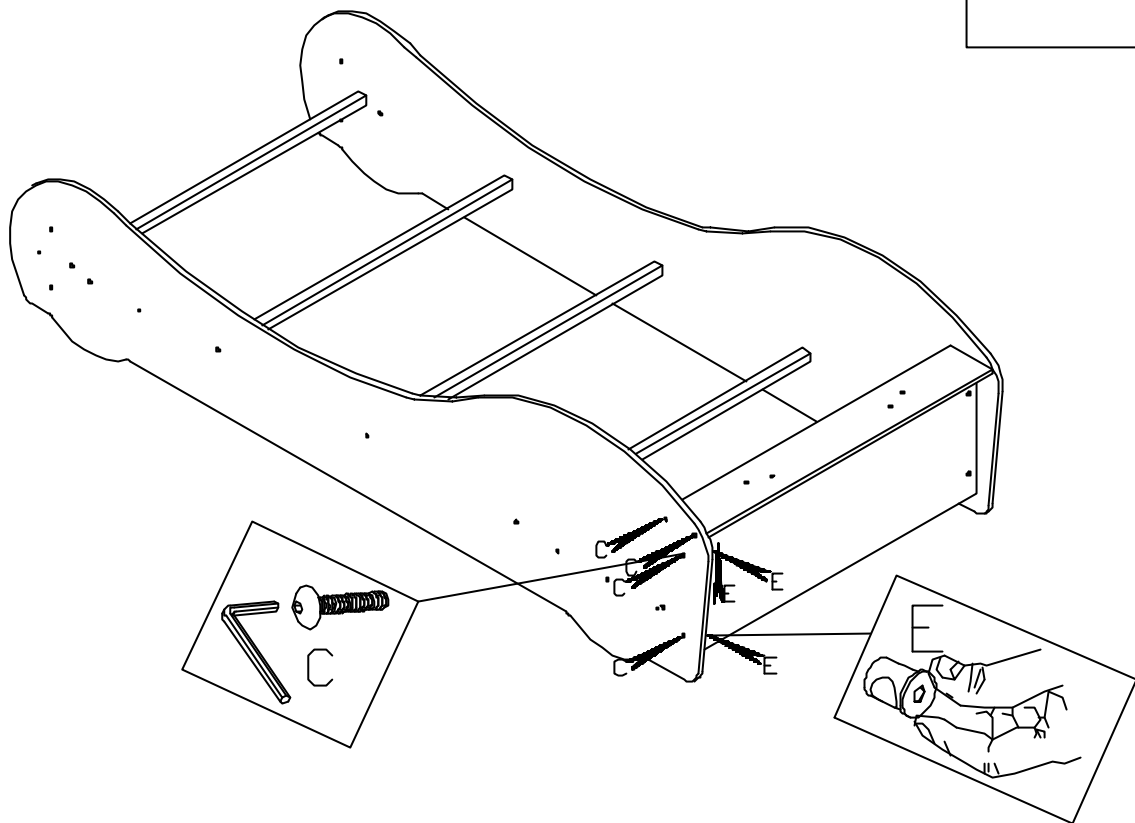
C



M6\*50

QTY:5

5



C



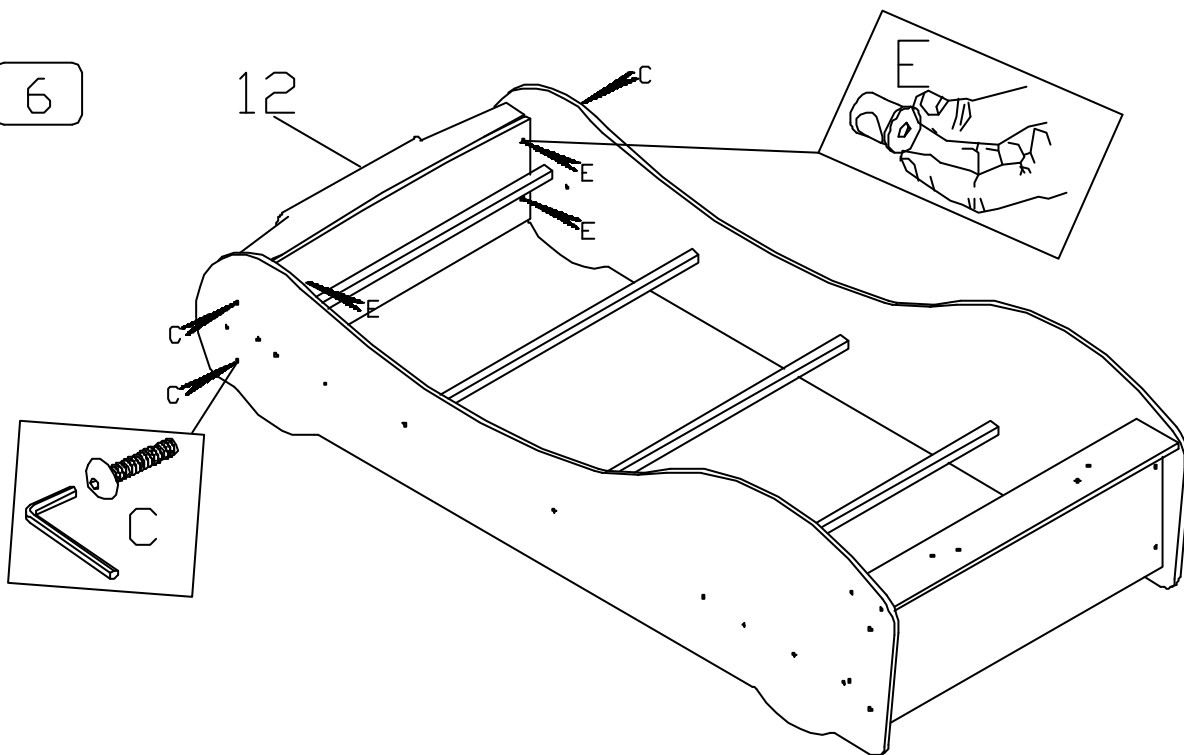
M6\*50  
QTY:4

E



QTY:4

6



C



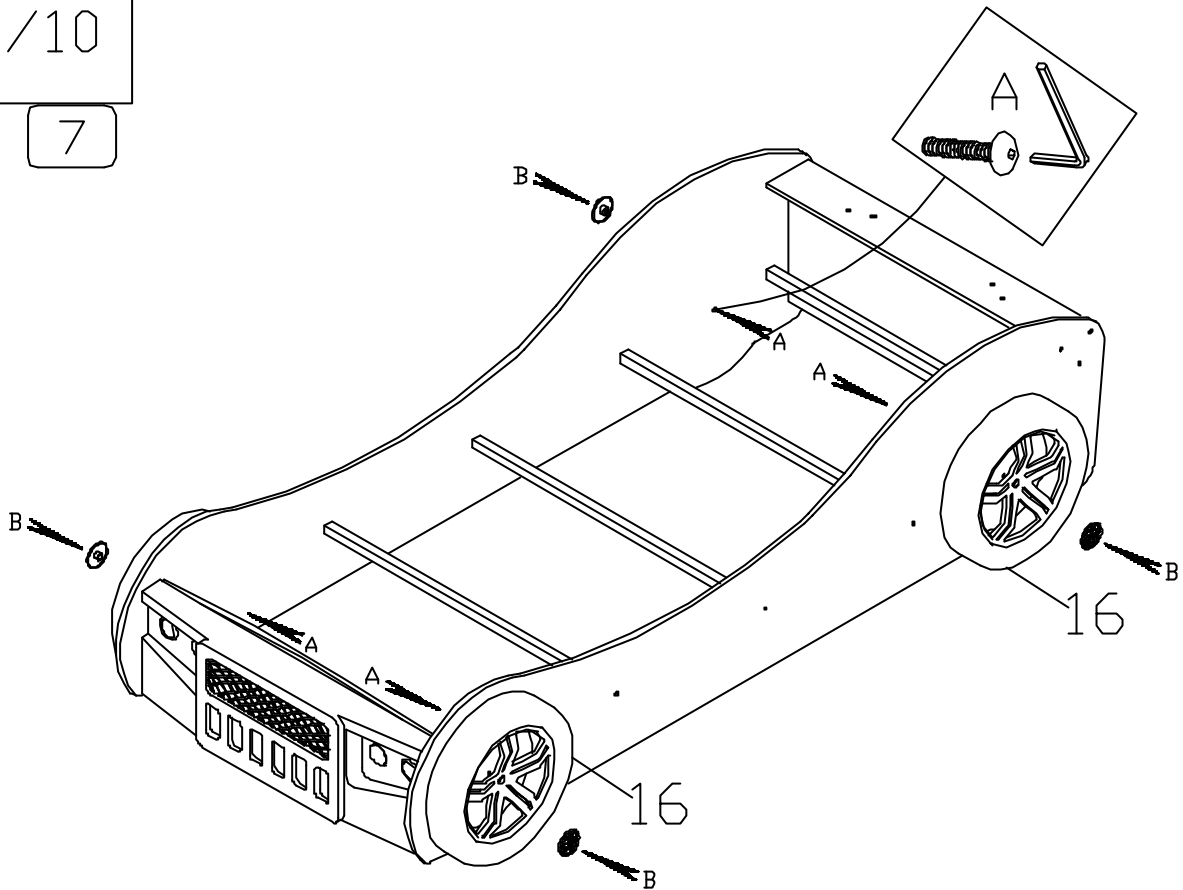
M6\*50  
QTY:4

E



QTY:4

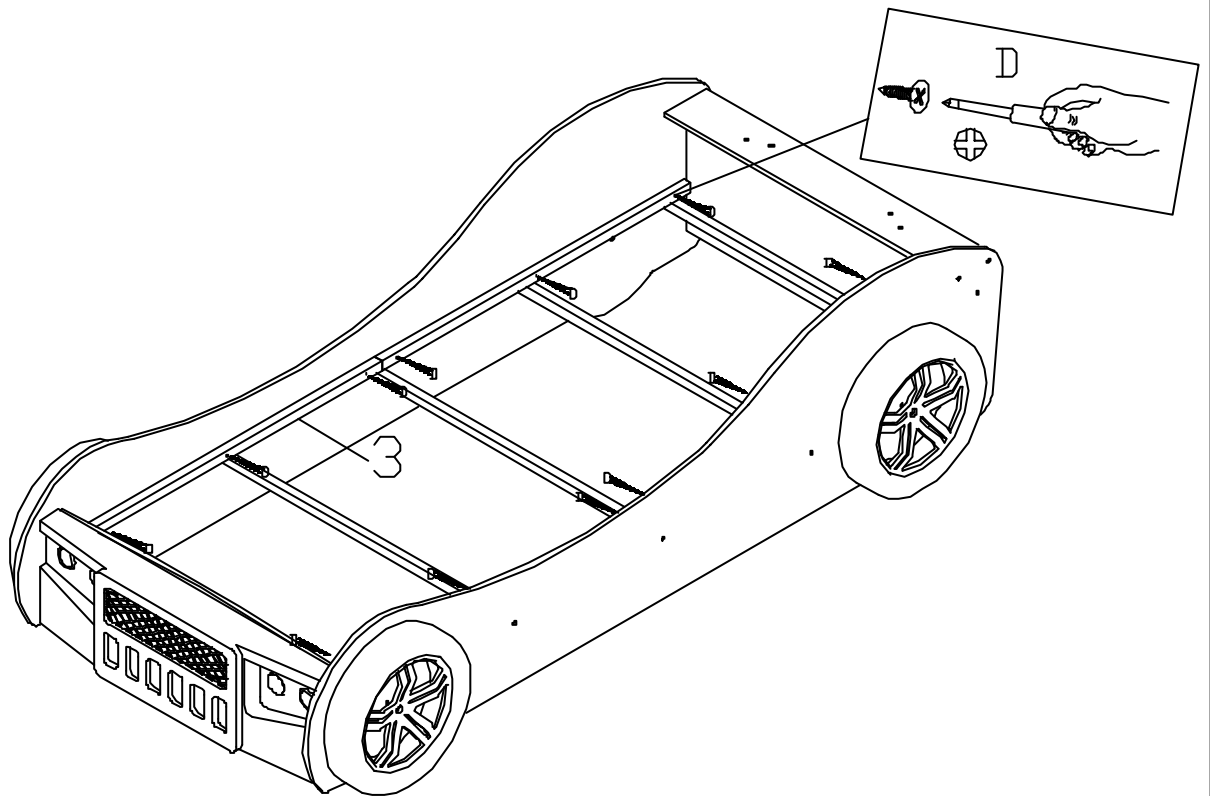
7



A  M6\*65  
QTY:4

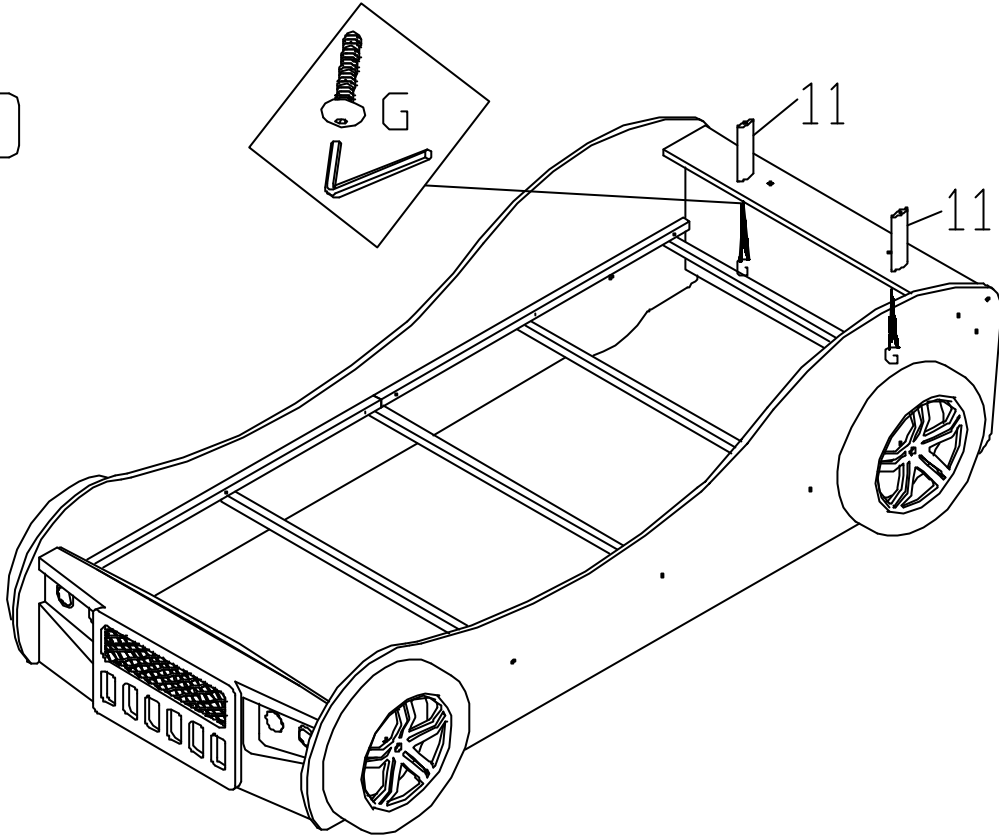
B  QTY:4

8



D  M8\*30  
QTY:12

9



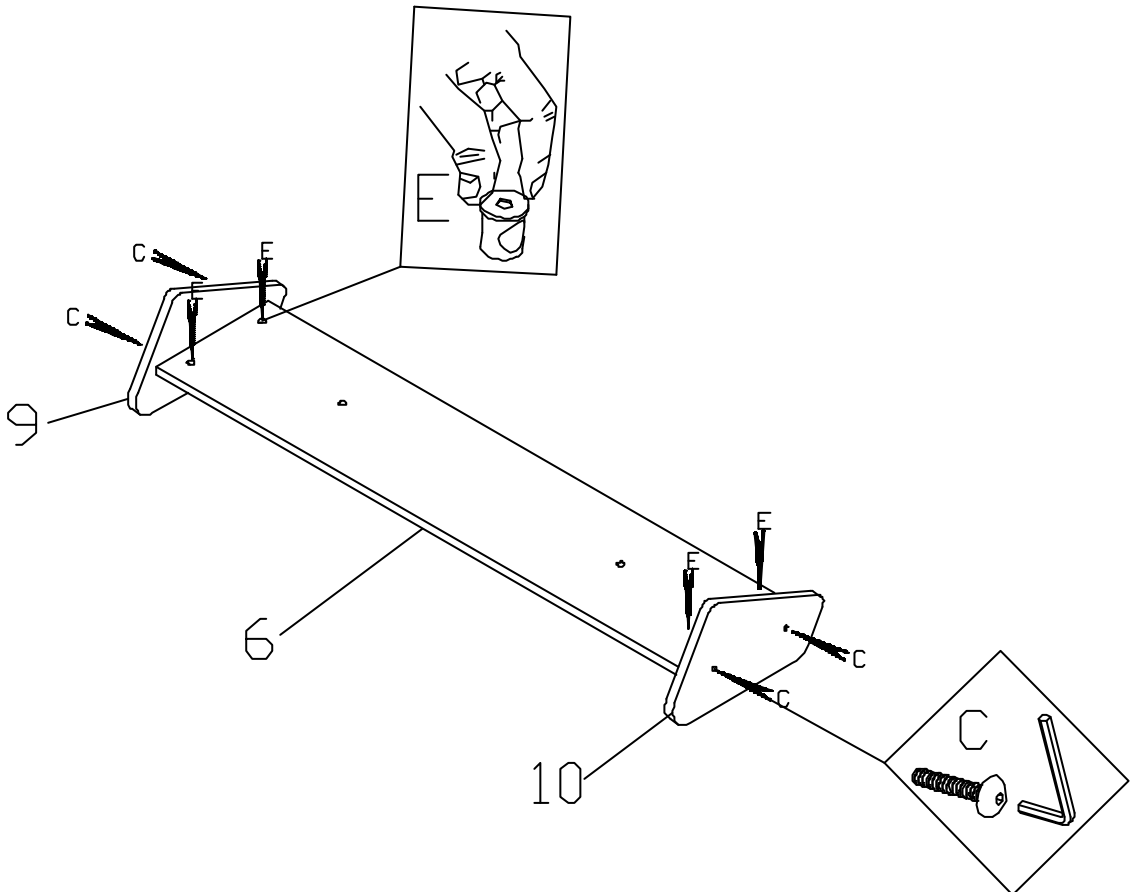
G



M6\*40

QTY:2

10



C



M6\*50

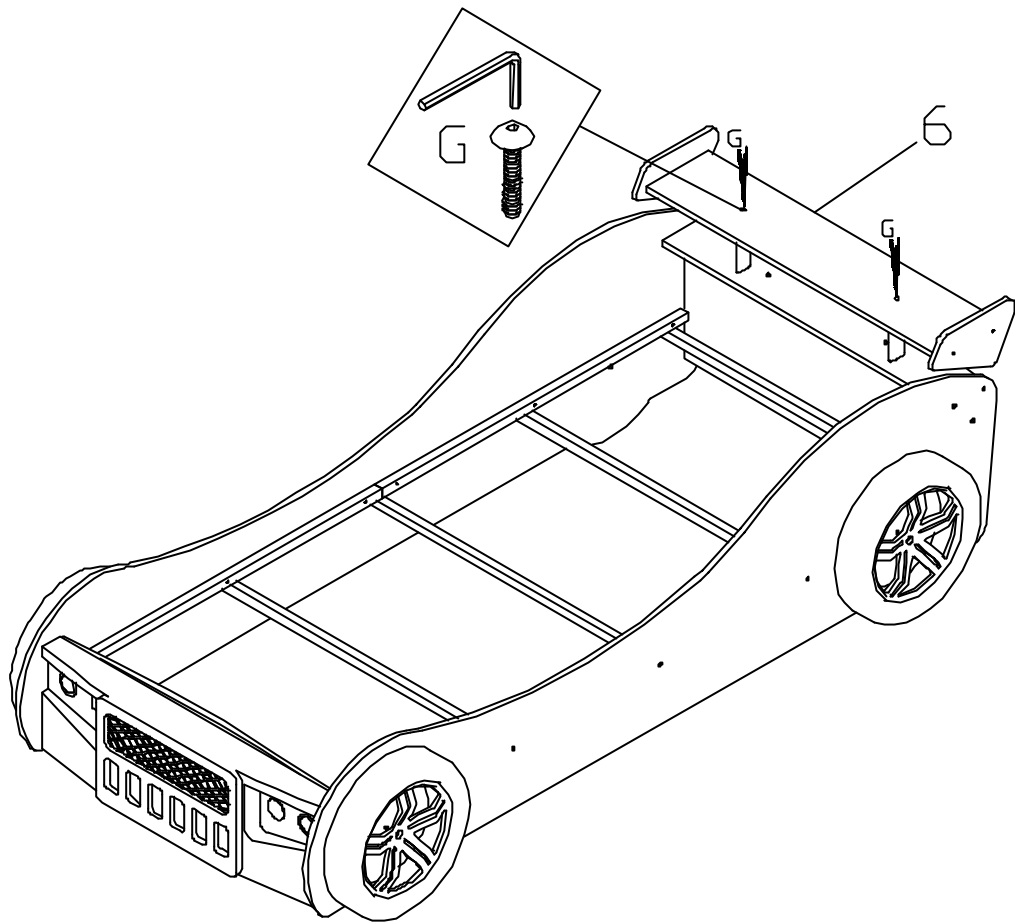
QTY:4


E



QTY:4





G  M6\*40  
QTY:2

